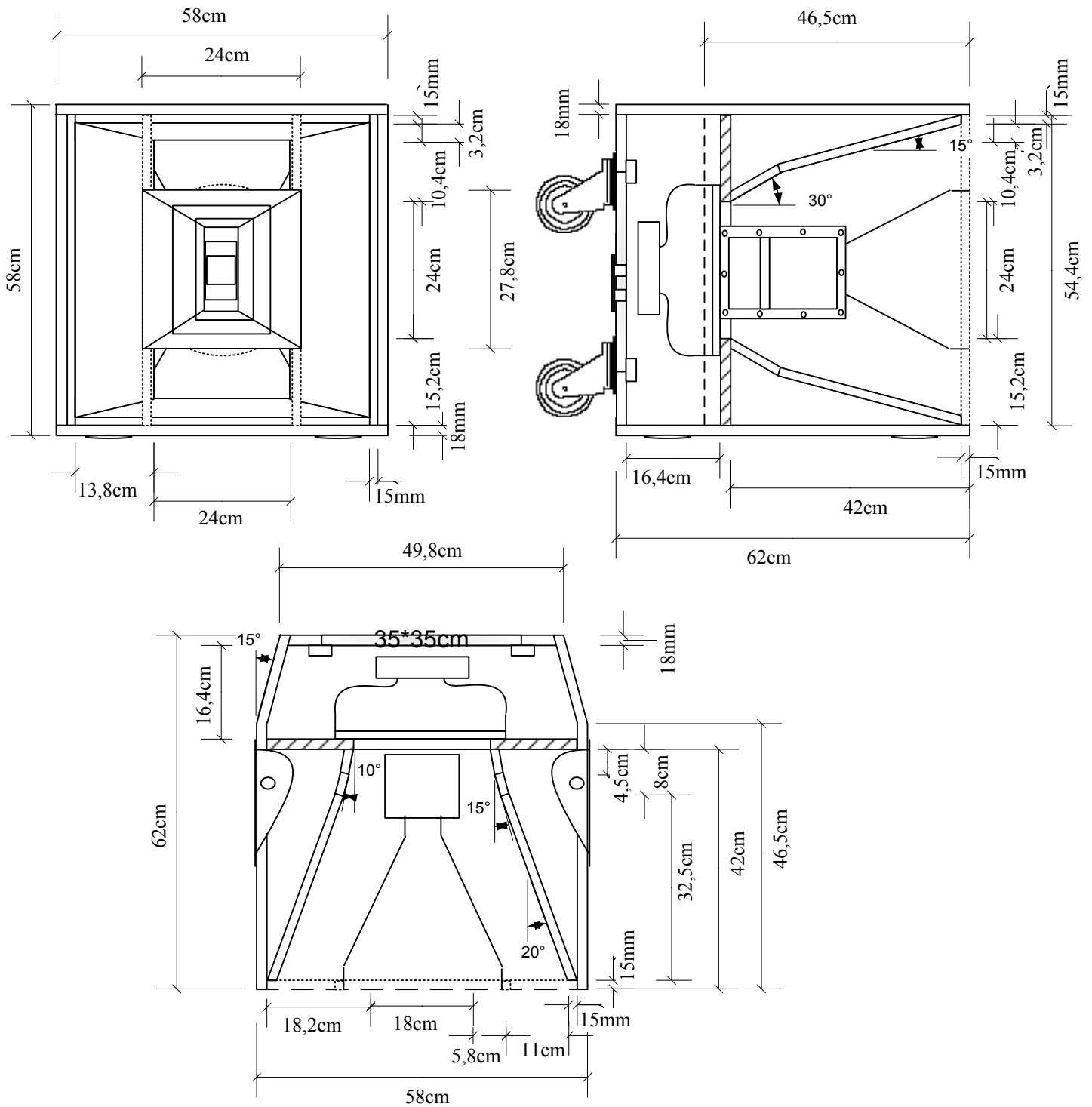


Model	Enclosure Design	Frequency Response	Efficiency	Power / imp.
C4 subkast	Sub Bandpasshorn	47~ 133Hz -3dB	99dB 1W/1M	600W AES/8ohm
Components	Kast: Fins multiplex 18mm		Netto inhoud: 50Lts / R-kamer 110Ltr	
	BassMid: 18Sound 18W1300 38Hz-3300Hz/600W			
	Highpass 30Hz lowpass 120Hz 4de order, 120Hz/Q=2/G=+1dB			
Ontwerp: van den Hoogen's Servicebedrijf / Boi van den Hoogen / www.boyzpc.nl / 06-05-2006				



Model	Enclosure Design	Frequency Response	Efficiency	Power / imp.
C4 topkast	Top Coaxiaal	116~20KHz -3dB	99dB 1W/1M	500W AES/8ohm
Components	Kast: Fins multiplex 18mm			Netto inhoud: 43,5Ltr
	BassMid: RCF MB12G301 50Hz-3000Hz/400W			filter 1200Hz/12dB/okt/8ohm
	Driver: 18Sound ND2060 500Hz-20KHz/80W / Hoorn Limmer 243 40*30			
EQ settings: laagaf 120Hz/4de order, 120Hz/Q=2/G=+5,5dB 500Hz/Q=1/G=-0,5dB 1200Hz/Q=1/G= +1,5dB				
Ontwerp: van den Hoogen's Servicebedrijf / Boi van den Hoogen / www.boyzpc.nl / 06-05-2006				