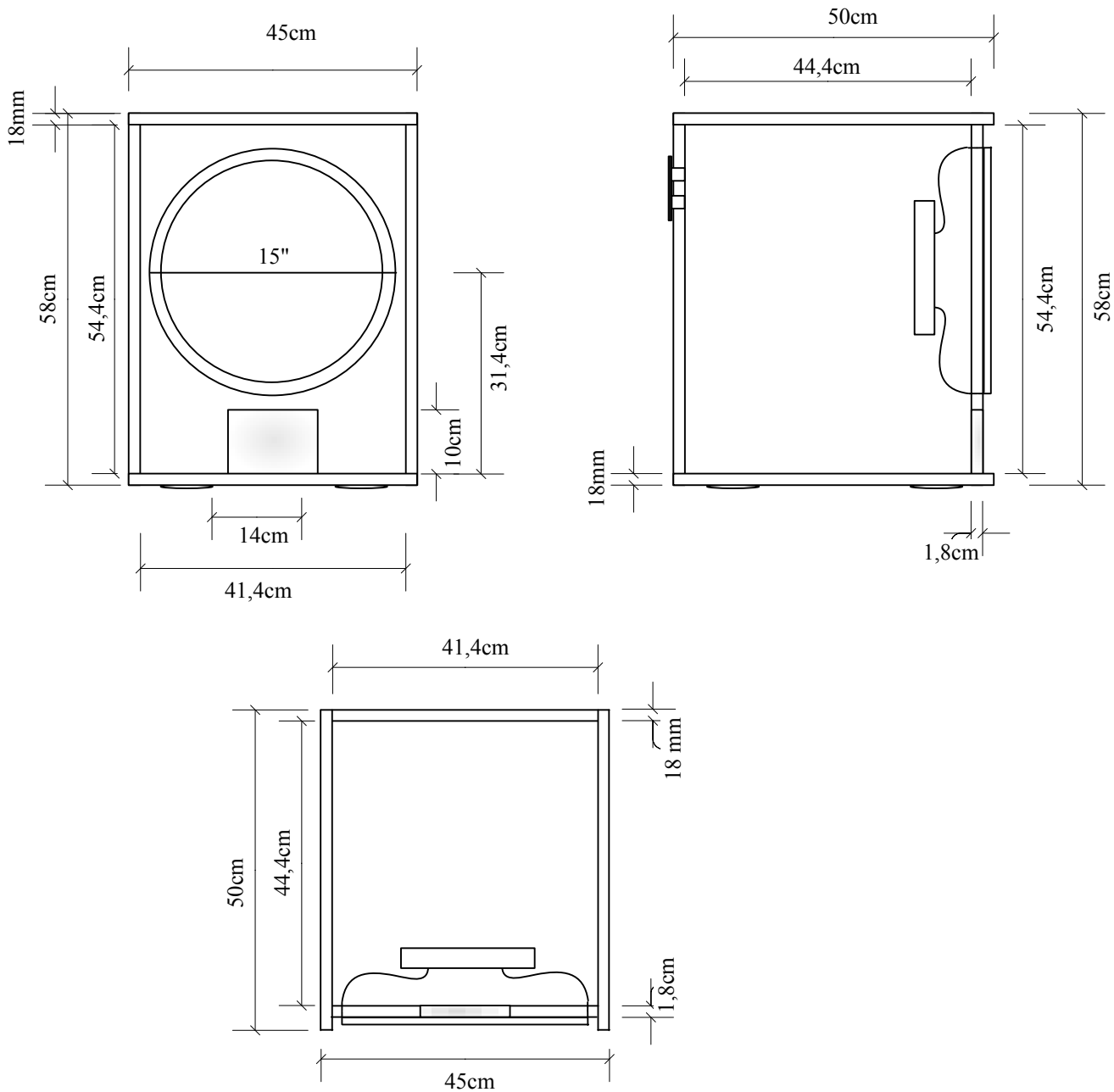
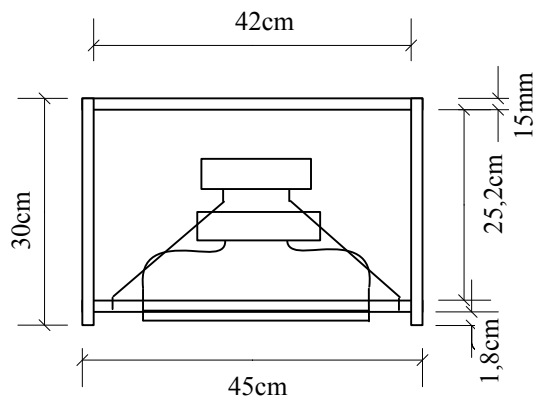
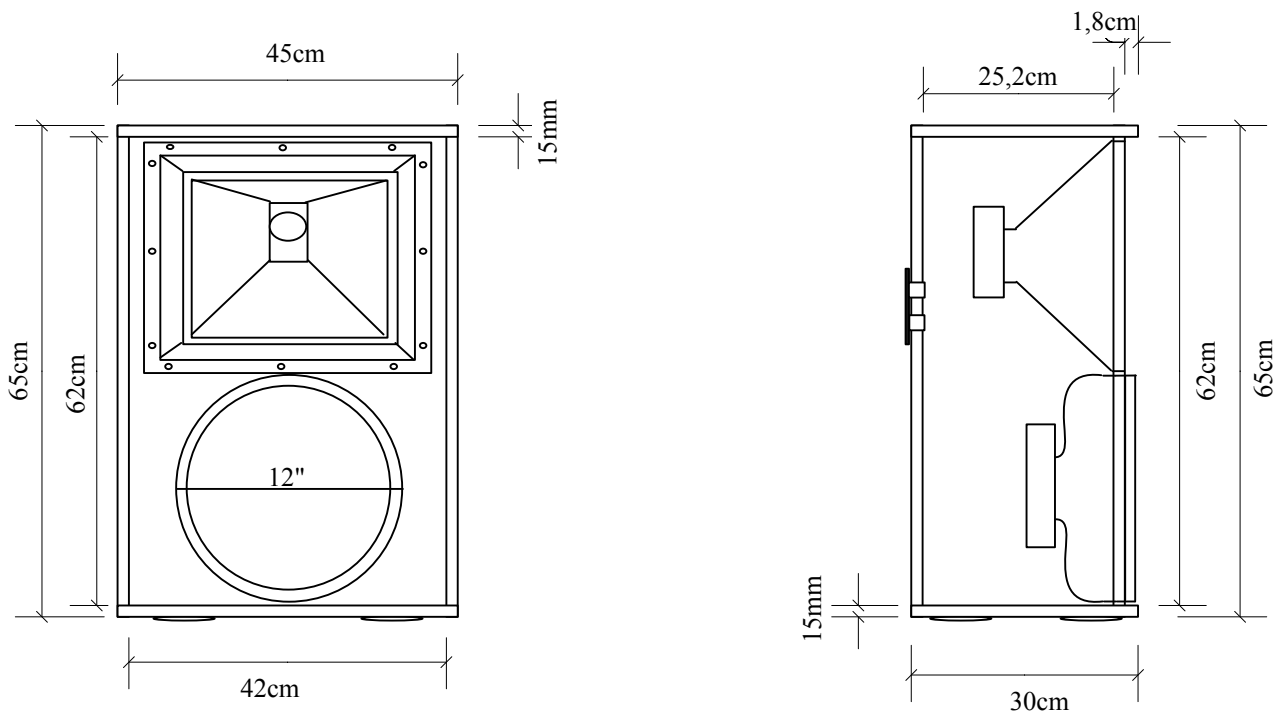


Model	Enclosure Design	Frequency Response	Efficiency	Power / imp.
211 Sub	Band pass	38~ 112Hz -3dB	95,5dB 1W/1M	1800W AES/8ohm
Components	Kast: Fins multiplex 18mm			Netto inhoud: 139/35Ltr
	18Sound 21NLW9000 24Hz-1800Hz/1800W/8ohm			
Highpass 30Hz Lowpass 100Hz 4de order 50Hz/Q=2/G=-0,5dB 70Hz/Q=2/G=+1,5dB 100Hz/Q=3/G=+3dB				
Ontwerp: van den Hoogen's Servicebedrijf / Boi van den Hoogen / www.boyzpc.nl / 20-01-2010				



Model	Enclosure Design	Frequency Response	Efficiency	Power / imp.
115 BasMid	BassMid vented	64~ 548Hz -3dB	100dB 1W/1M	400W AES/8ohm
Components	Kast: Fins multiplex 18mm			Netto inhoud: 100Ltr
	18Sound 15MB700 45Hz-4000Hz/400W/8ohm			
	Highpass 100Hz Lowpass 500Hz 4de order 100Hz/Q=3/G=+2dB 500Hz/Q=3/G=+3,5dB			
Ontwerp: van den Hoogen's Servicebedrijf / Boi van den Hoogen / www.boyzpc.nl / 20-01-2010				



Model	Enclosure Design	Frequency Response	Efficiency	Power / imp.
112 Top kast	Top closed	458~ 20KHz -3dB	100dB 1W/1M	450W AES/8ohm
Components	Kast: Fins multiplex 18mm			Netto inhoud: 65,5Ltr
	Mid: 18Sound 12MB700 60Hz-5000Hz/450W/8ohm			
	Driver: 18Sound ND1460 500Hz-20KHz/80W/8ohm – XT1464 hoorn 60*50			
	Highpass 500Hz 4de order 500Hz/Q=3/G=1 1500Hz/Q=1/G=+5dB passief filter 1500Hz/12dB/okt			
Ontwerp: van den Hoogen's Servicebedrijf / Boi van den Hoogen / www.boyzpc.nl / 20-01-2010				