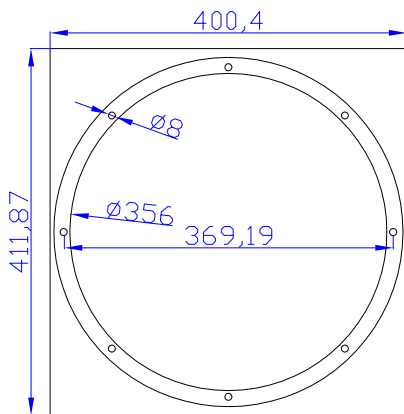
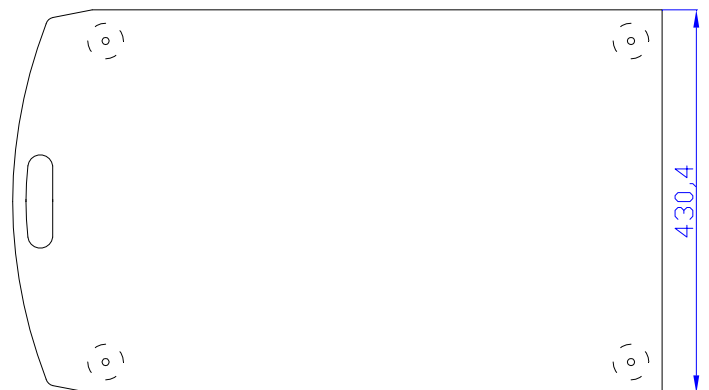


**Technical Specifications**

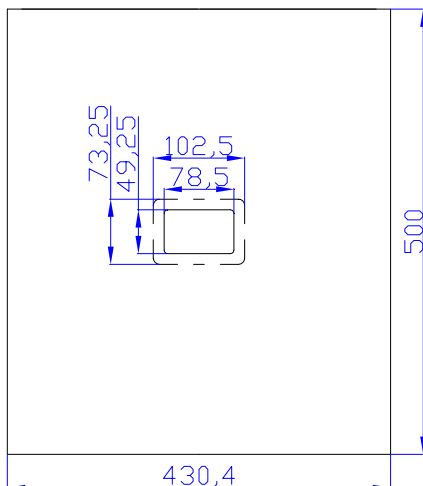
Acoustic cabinet:	SB15
Description:	Bass reinforcement. 15" Subwoofer
Power AES:	800 W.
Power Program:	1.600 W.
Sensitivity 2,83v @ 1m:	103 dB.
Max. SPL continuous:	132 dB.
Max. SPL peak:	138 dB.
Frequency response:	40 - 200 Hz.
Bass Loudspeakers:	15P80ND



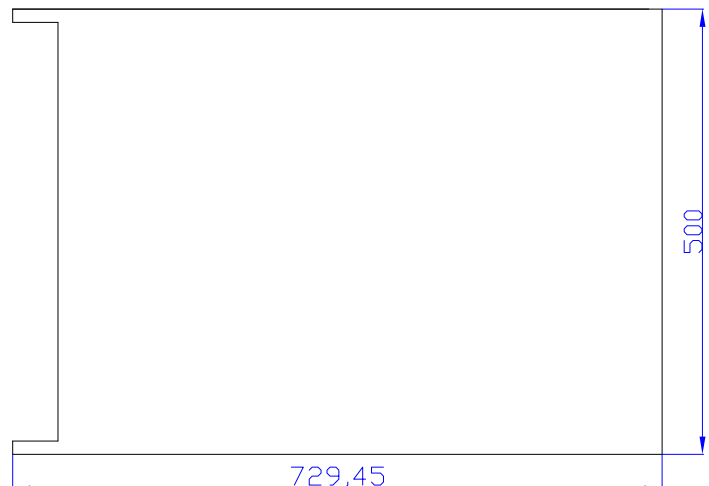
**Base**



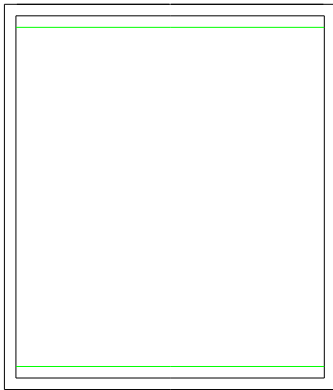
**Rear**



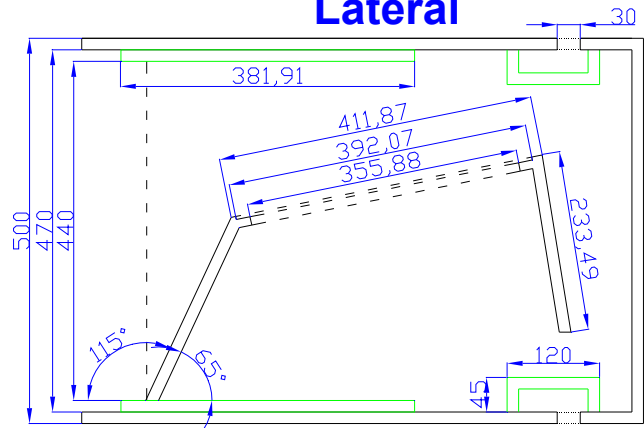
**Lateral**



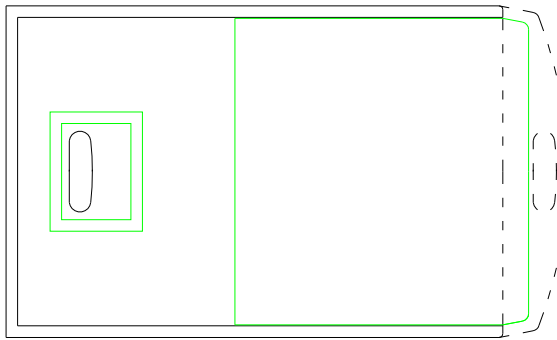
**Front**



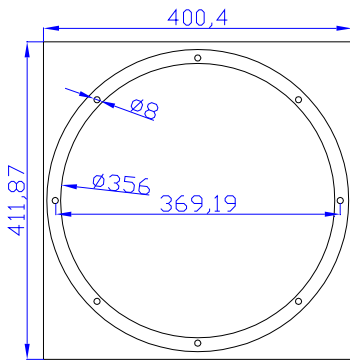
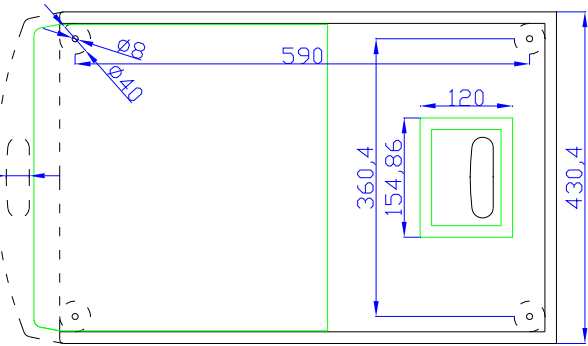
**Lateral**



**Central**



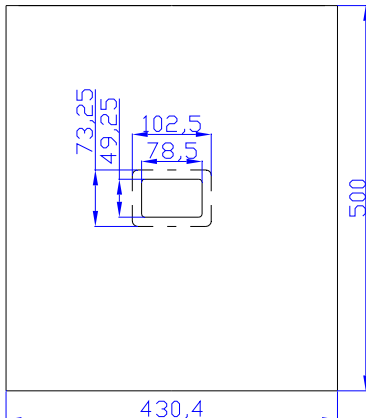
**Base**



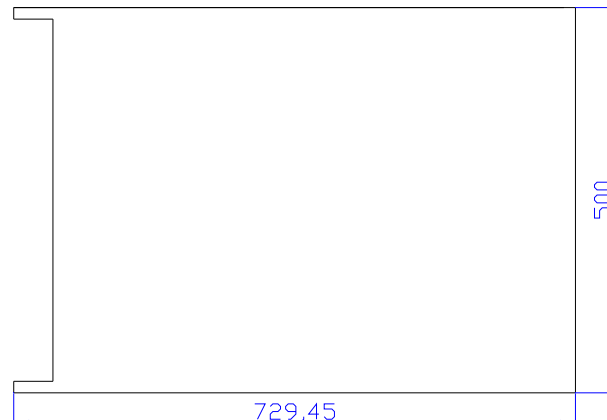
**Base**



**Rear**



**Lateral**



### 15P80Nd

#### KEY FEATURES

- Real 800 W AES power handling
- Sensitivity: 100 dB @ 2.83V
- 4" Duo Technology voice coil
- Forced air convection circuit for low power compression
- Extended controlled displacement:  $X_{max} \pm 7.5$  mm.
- Massive mechanical displacement capability: 52 mm p-p



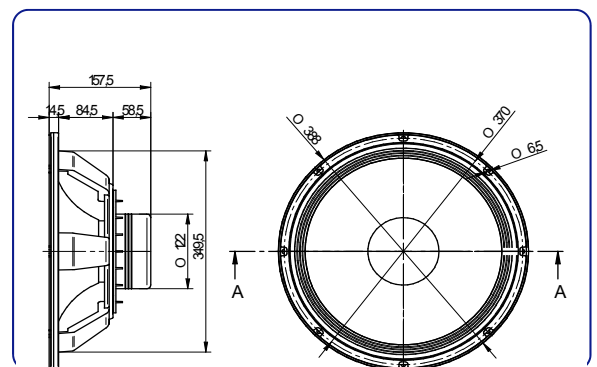
#### TECHNICAL SPECIFICATIONS

- |                            |                        |
|----------------------------|------------------------|
| • Nominal diameter         | 380 mm. 15 in.         |
| • Rated impedance          | 8 ohms                 |
| • Minimum impedance        | 6.6 ohms               |
| • Power capacity*          | 800 w AES              |
| • Program power            | 1600 w                 |
| • Sensitivity              | 100 dB 2.83v @ 1m @ 2π |
| • Frequency range          | 30 - 5000 Hz           |
| • Voice coil diameter      | 100 mm. 4 in.          |
| • Magnetic assembly weight | 4.62 kg. 10.16 lb.     |
| • BL factor                | 23.6 N / A             |
| • Voice coil length        | 20 mm                  |
| • Air gap height           | 12 mm                  |
| • X damage (peak to peak)  | 52 mm                  |

**Notes:**

\*The power capacity is determined according to AES2-1984 (r2003) standard.  
Program power is defined as the transducer's ability to handle normal music program material.

#### DIMENSION DRAWINGS



## SB15/2 Presets

