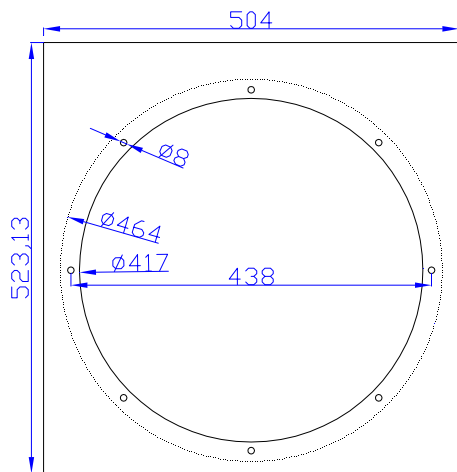
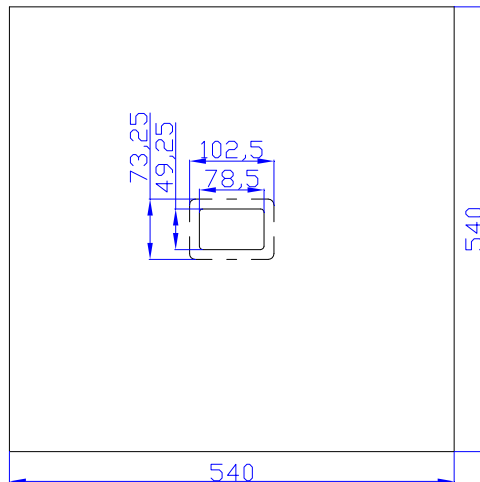


Technical Specifications

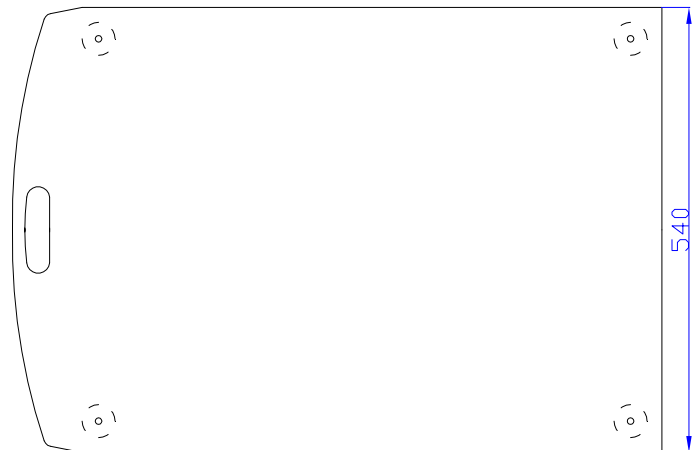
Acoustic cabinet:	SB18
Description:	Bass reinforcement. 18" subwoofer.
Power AES:	1.200 W.
Power Program:	2.400 W.
Sensitivity 2,83v @ 1m:	101 dB.
Max. SPL continuous:	132 dB.
Max. SPL peak:	138 dB.
Frequency response:	33 - 200 Hz
Bass Loudspeakers:	18P1200ND



Rear



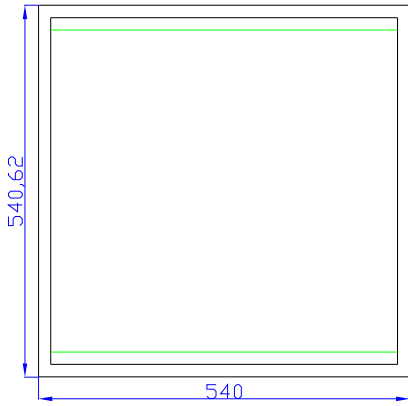
Base



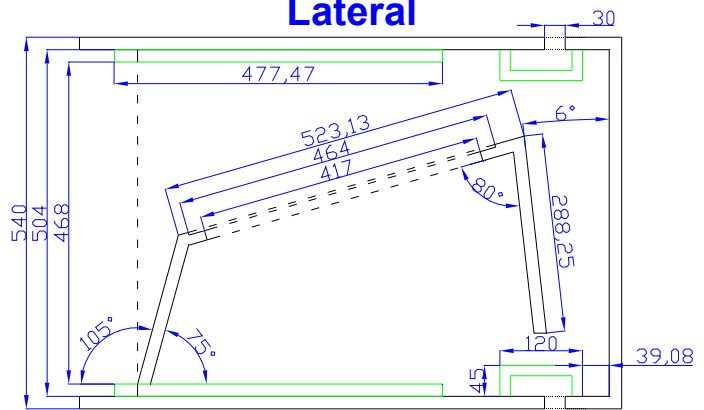
Lateral



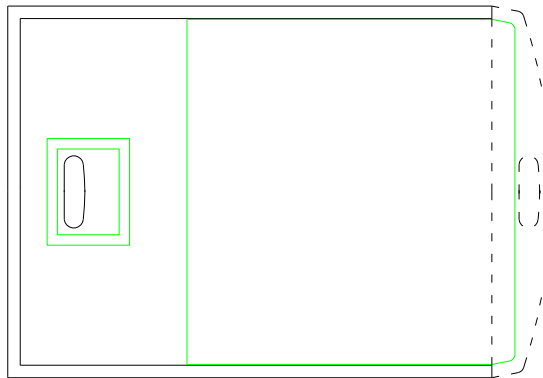
Front



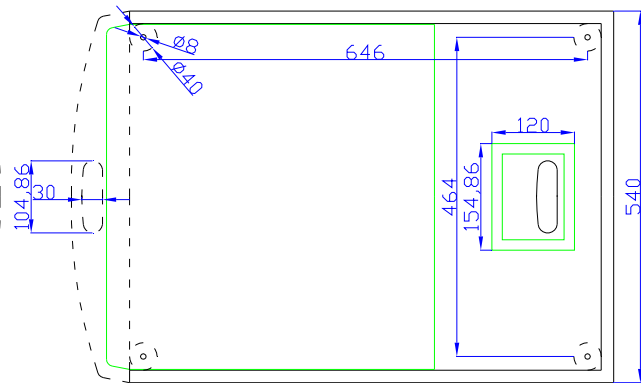
Lateral



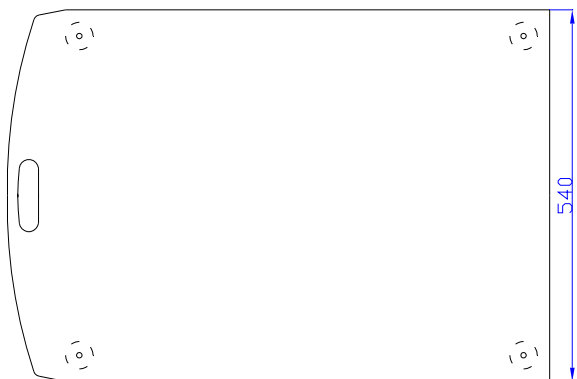
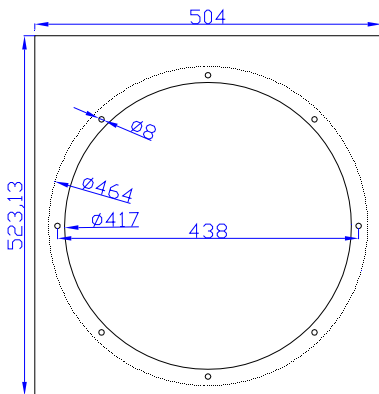
Central



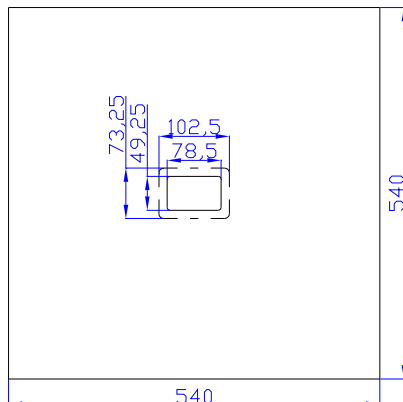
Base



Base



Rear



Lateral



18P1200Nd

KEY FEATURES

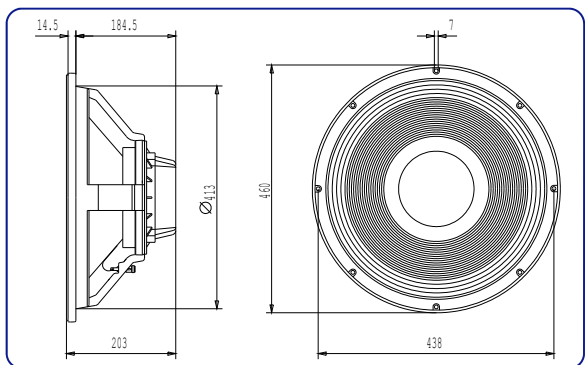
- Real 1200 W AES power handling
- Sensitivity: 98 dB @ 2.83V
- 4" Duo Technology voice coil
- Forced air convection circuit for low power compression
- Extended controlled displacement: $X_{max} \pm 9.5$ mm.
- Massive mechanical displacement capability: 52 mm p-p



TECHNICAL SPECIFICATIONS

• Nominal diameter	460 mm. 18 in.
• Rated impedance	8 ohms
• Minimum impedance	6 ohms
• Power capacity*	1200 w AES
• Program power	2400 w
• Sensitivity	98 dB 2.83v @ 1m @ 2π
• Frequency range	25 - 2000 Hz
• Voice coil diameter	100 mm. 4 in.
• Magnetic assembly weight	6 kg. 13.2 lb.
• BL factor	26.3 N / A
• Voice coil length	25 mm
• Air gap height	14 mm
• X damage (peak to peak)	52 mm

DIMENSION DRAWINGS



Notes:
 *The power capacity is determined according to AES2-1984 (r2003) standard.
 Program power is defined as the transducer's ability to handle normal music program material.

SB18/1 Presets

EQ interface showing frequency response and control parameters:

- PEQ On
- Type: Bell High Shelf Low Shelf Low/High Shelf
- Band 1 Fc: 62.5 Hz, Q: 2.996, Level: 3.0 dB
- Band 2 Fc: 324 Hz, Q: 0.939, Level: 0.0 dB
- Band 3 Fc: 1.19 kHz, Q: 0.939, Level: 0.0 dB
- Band 4 Fc: 5.04 kHz, Q: 0.939, Level: 0.0 dB

