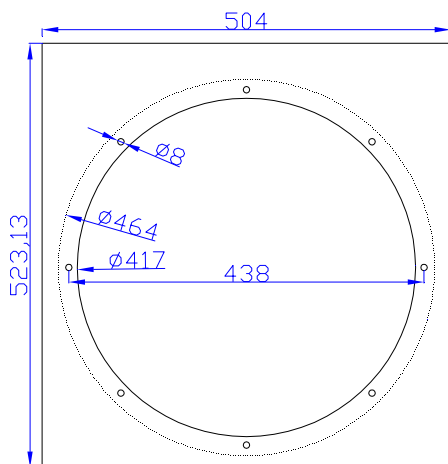
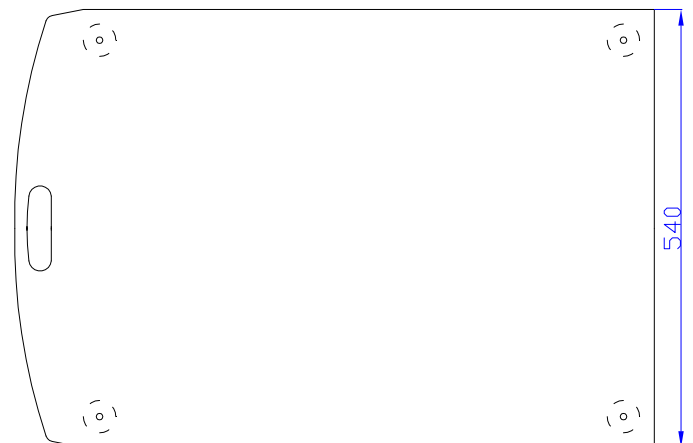


Technical Specifications

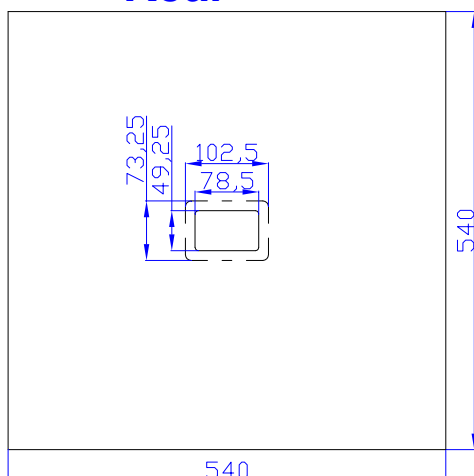
Acoustic cabinet:	SB18
Description:	Bass reinforcement. 18" subwoofer.
Power AES:	1.000 W.
Power Program:	2.000 W.
Sensitivity 2,83v @ 1m:	101 dB.
Max. SPL continuous:	131 dB.
Max. SPL peak:	137 dB.
Frequency response:	33 - 200 Hz.
Bass Loudspeakers:	18P1000ND



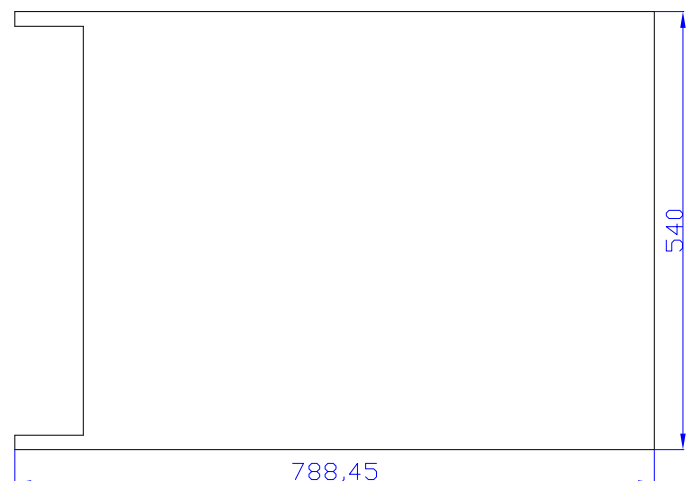
Base



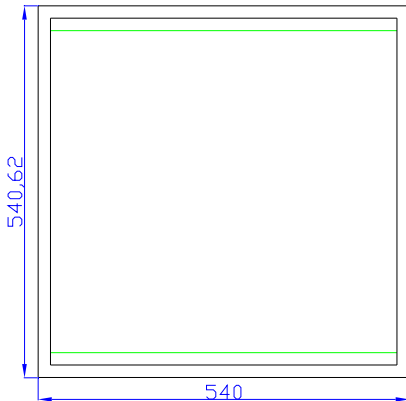
Rear



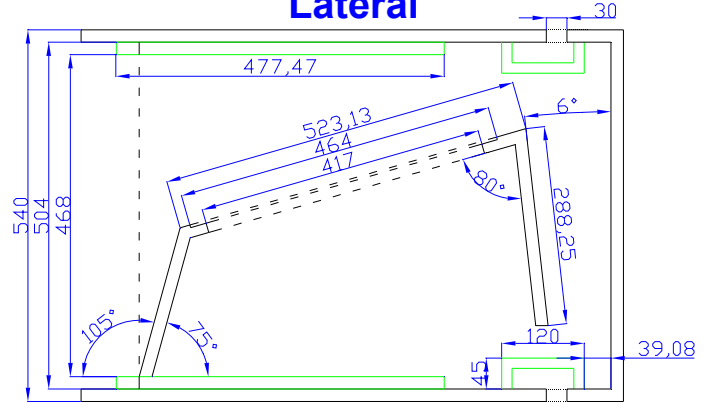
Lateral



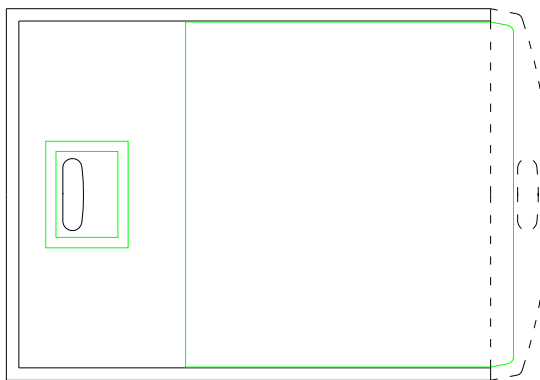
Front



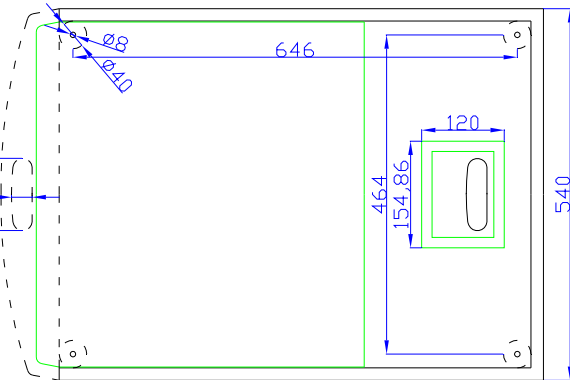
Lateral



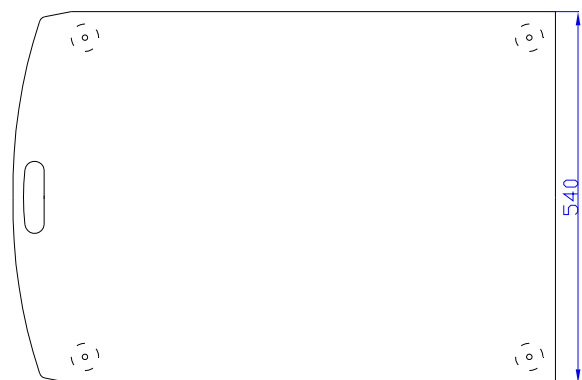
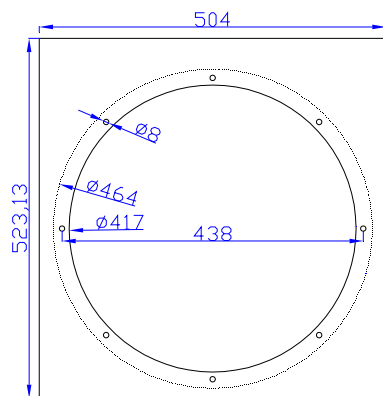
Central



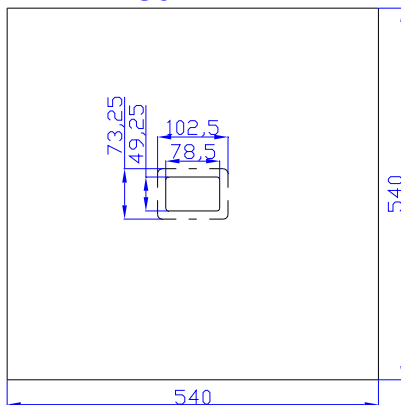
Base



Base



Rear



Lateral



18P1000Nd

KEY FEATURES

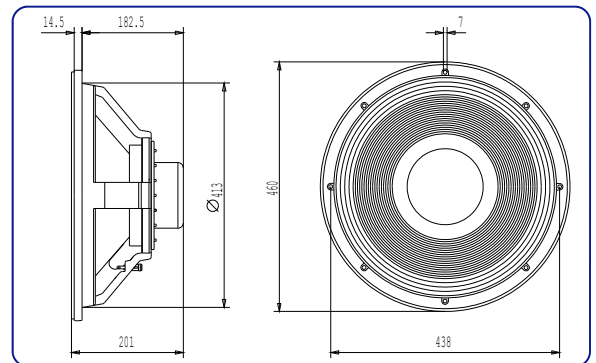
- Real 1000 W AES power handling
- Sensitivity: 98 dB @ 2.83V
- 4" Duo Technology voice coil
- Forced air convection circuit for low power compression
- Extended controlled displacement: $X_{max} \pm 8$ mm.
- Massive mechanical displacement capability: 52 mm p-p



TECHNICAL SPECIFICATIONS

- | | |
|----------------------------|-----------------------|
| • Nominal diameter | 460 mm. 18 in. |
| • Rated impedance | 8 ohms |
| • Minimum impedance | 6.2 ohms |
| • Power capacity* | 1000 w AES |
| • Program power | 2000 w |
| • Sensitivity | 98 dB 2.83v @ 1m @ 2π |
| • Frequency range | 25 - 2000 Hz |
| • Voice coil diameter | 100 mm. 4 in. |
| • Magnetic assembly weight | 4.62 kg. 10.16 lb. |
| • BL factor | 24.3 N / A |
| • Voice coil length | 21 mm |
| • Air gap height | 12 mm |
| • X damage (peak to peak) | 52 mm |

DIMENSION DRAWINGS



Notes:

*The power capacity is determined according to AES2-1984 (r2003) standard.
Program power is defined as the transducer's ability to handle normal music program material.

SB18/2 Presets

