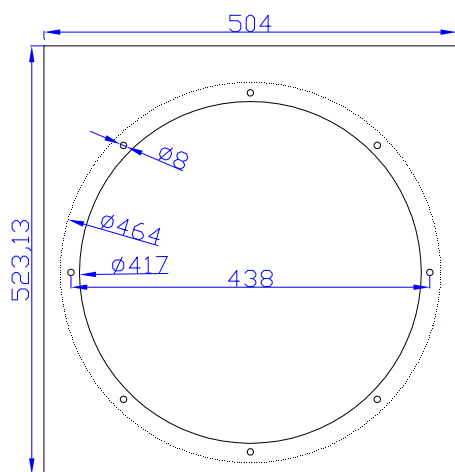
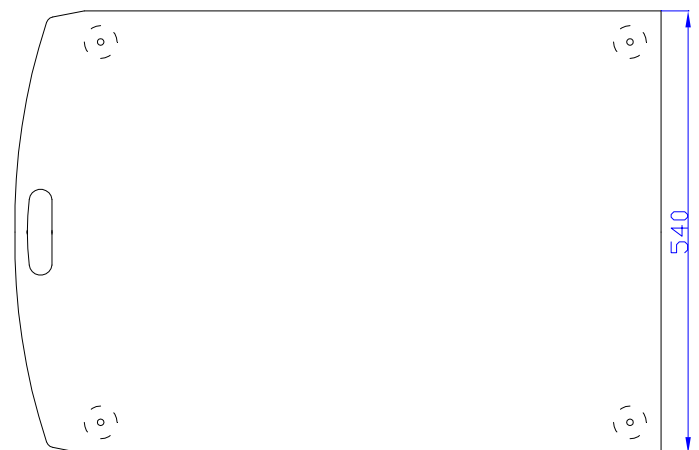


**Technical Specifications**

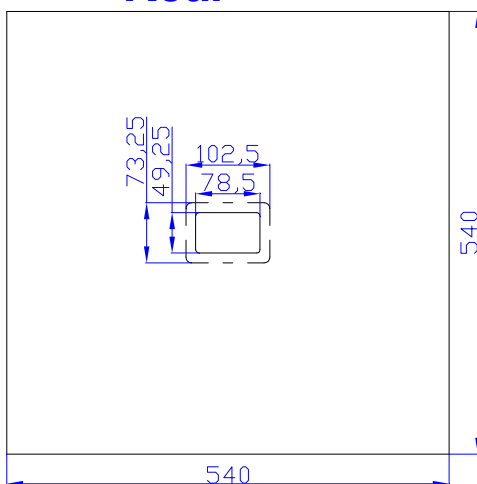
Acoustic cabinet:	SB18
Description:	Bass reinforcement. 18" subwoofer.
Power AES:	800 W.
Power Program:	1.600 W.
Sensitivity 2,83v @ 1m:	102 dB.
Max. SPL continuous:	131 dB.
Max. SPL peak:	137 dB.
Frequency response:	37 - 200 Hz.
Bass Loudspeakers:	18P80ND



**Base**



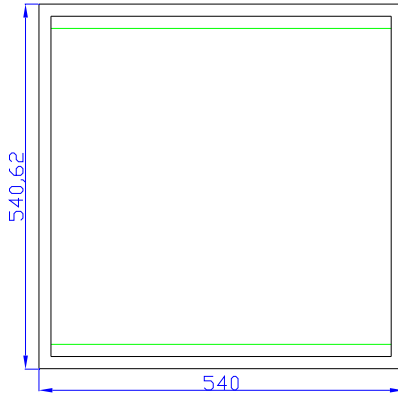
**Rear**



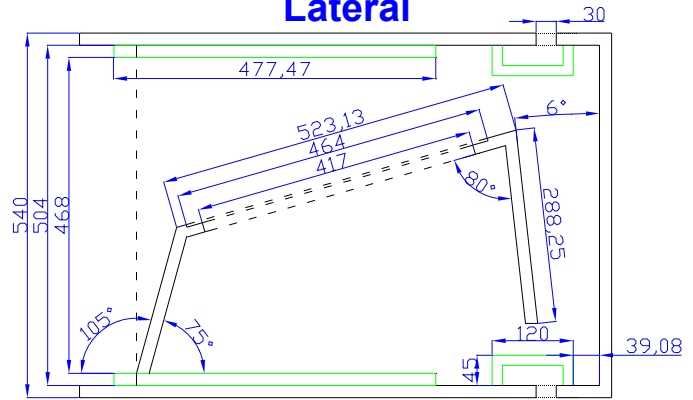
**Lateral**



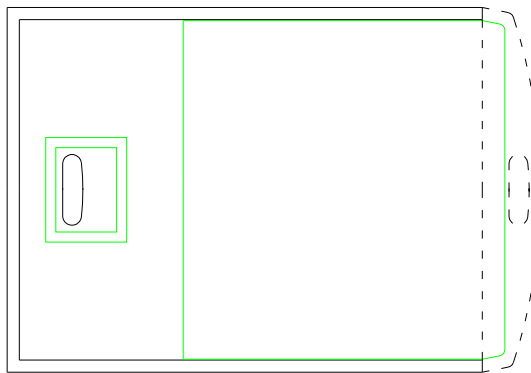
**Front**



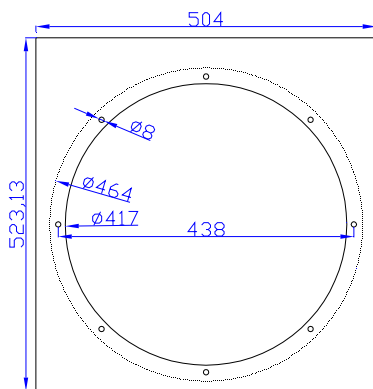
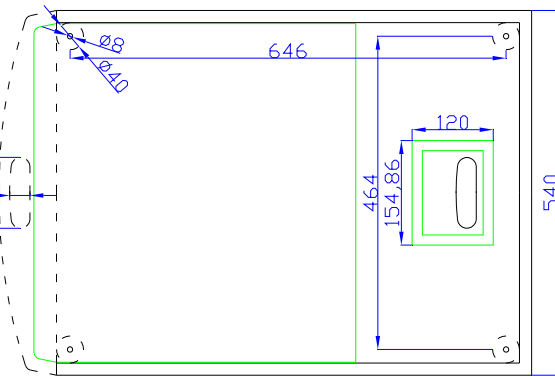
**Lateral**



**Cental**



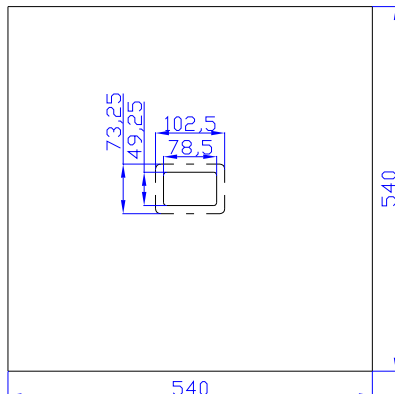
**Base**



**Base**



**Rear**



**Lateral**



### 18P80Nd

#### KEY FEATURES

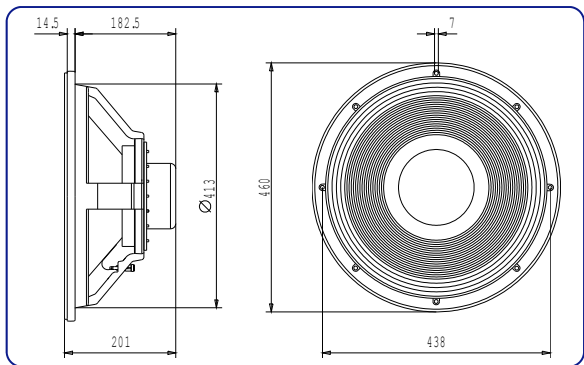
- Real 800 W AES power handling
- Sensitivity: 100 dB @ 2.83V
- 4" Duo Technology voice coil
- Carbon fiber reinforced paper cone
- Forced air convection circuit for low power compression
- Extended controlled displacement: Xmax ± 7.5 mm.
- Massive mechanical displacement capability: 52 mm p-p



#### TECHNICAL SPECIFICATIONS

- Nominal diameter 460 mm. 18 in.
- Rated impedance 8 ohms
- Minimum impedance 5.8 ohms
- Power capacity\* 800 w AES
- Program power 1600 w
- Sensitivity 100 dB 2.83v @ 1m @ 2π
- Frequency range 25 - 4000 Hz
- Voice coil diameter 100 mm. 4 in.
- Magnetic assembly weight 4.62 kg. 10.16 lb.
- BL factor 21.9 N / A
- Voice coil length 20 mm
- Air gap height 12 mm
- X damage (peak to peak) 52 mm

#### DIMENSION DRAWINGS



**Notes:**  
 \*The power capacity is determined according to AES2-1984 (r2003) standard.  
 Program power is defined as the transducer's ability to handle normal music program material.

## SB18/3 Presets

The screenshot shows a digital equalizer interface with a frequency response graph and a control panel. The graph displays a red curve with a peak at approximately 62.5 Hz. The control panel includes a 'PEQ On' toggle and four frequency bands with adjustable sliders for center frequency (Fc), Q, and level.

Band	Fc	Q	Level
Band 1	62.5 Hz	2.996	3.0 dB
Band 2	324 Hz	0.939	0.0 dB
Band 3	1.19 kHz	0.939	0.0 dB
Band 4	5.04 kHz	0.939	0.0 dB

