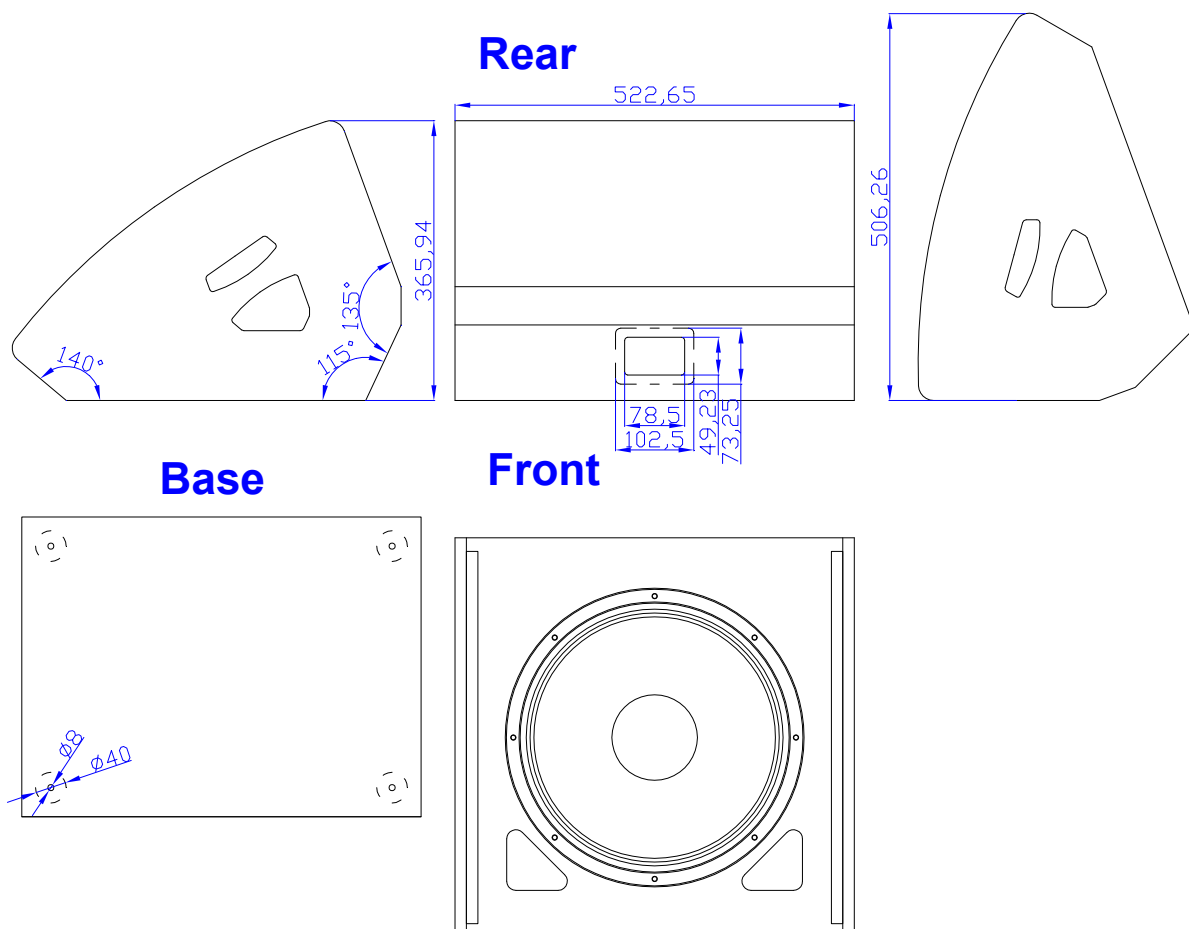
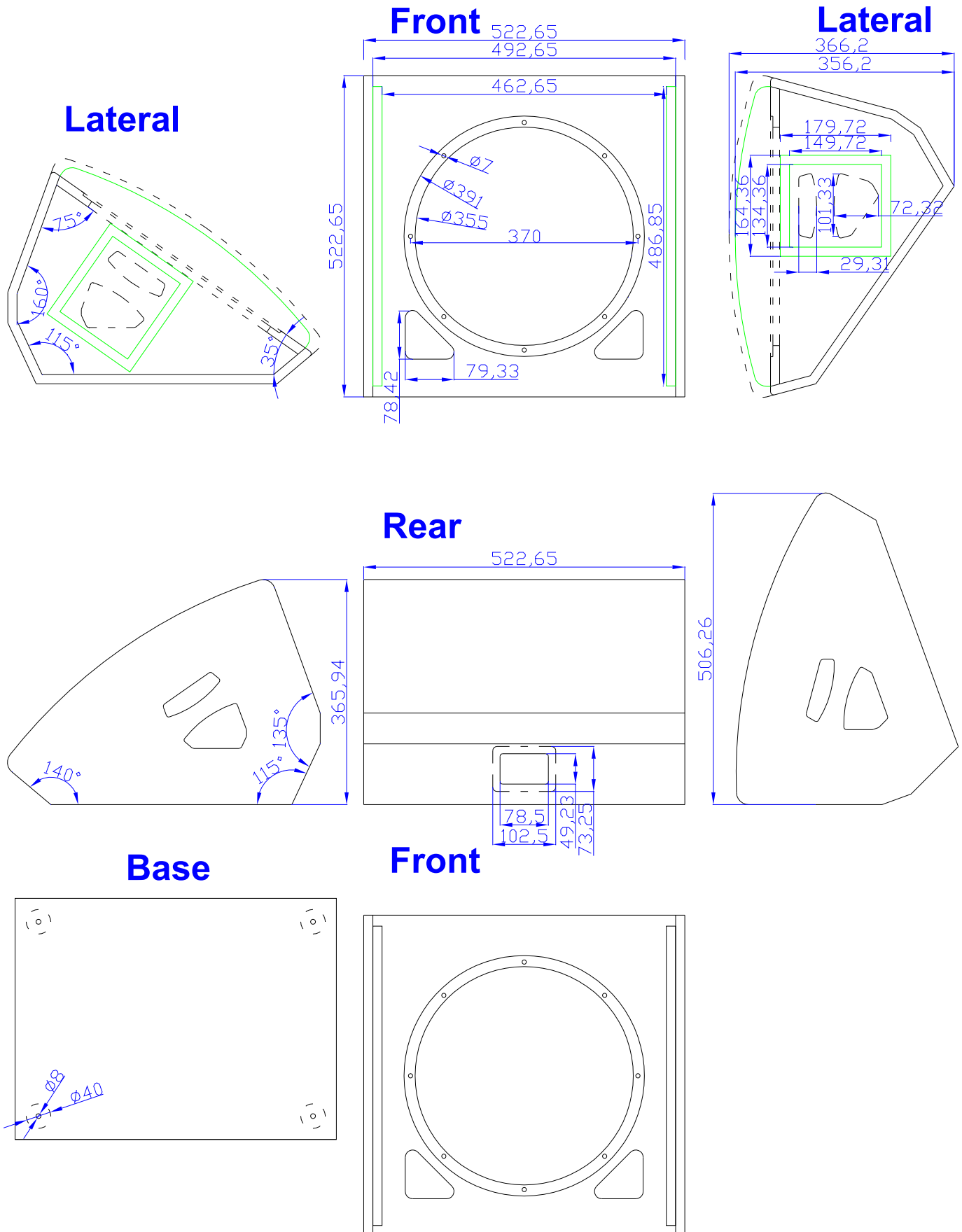


Technical Specifications

| | |
|-------------------------|-----------------------------|
| Acoustic cabinet: | SM15 |
| Description: | Stage monitor. 15" coaxial. |
| Power AES: | 300 W. |
| Power Program: | 600 W. |
| Sensitivity 2,83v @ 1m: | 99 dB. |
| Max. SPL continuous: | 124 dB. |
| Max. SPL peak: | 130 dB. |
| Frequency response: | 43 - 17.000Hz. |
| Coverage (H x V): | 90° conical |
| Loudspeaker: | 15KX |
| Crossover: | FC-15/2 |





15KX

KEY FEATURES

- 15" bass loudspeaker and 2" exit compression driver combination
- Excellent power handling: 300 W AES (LF unit) - 100 W AES (HF unit)
- Titanium diaphragm compression driver
- Low weight thanks to the common magnet system for both units
- Coherent response
- Bass loudspeaker designed for compact bass reflex cabinets

TECHNICAL SPECIFICATIONS

LF Unit

- Nominal diameter 380 mm. 15 in.
- Rated impedance 8 ohms
- Minimum impedance 7.3 ohms
- Power capacity* 300 w AES
- Program power 600 w
- Sensitivity 99 dB 2.83v @ 1m @ 2π
- Frequency range 25 - 3000 Hz
- Voice coil diameter 77 mm. 3 in.
- Magnetic assembly weight 6.4 kg. 14.11 lb.
- BL factor 14.5 N / A
- Voice coil length 13 mm
- Air gap height 8 mm
- X damage (peak to peak) 28 mm

HF Unit

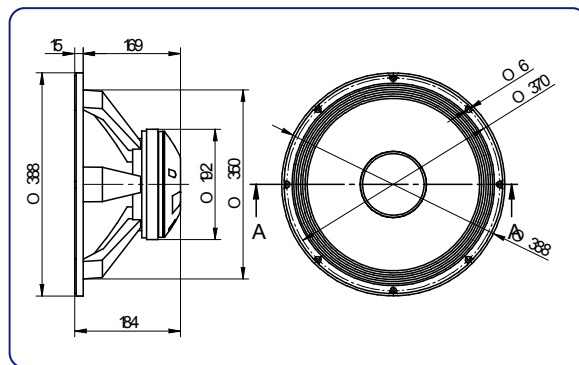
- Throat diameter 50.8 mm. 2 in
- Rated impedance 8 ohms
- Power capacity* 100 w AES
- Program power 200 w above 1 kHz
- Sensitivity** 105 dB 1w @ 1m
- Frequency range 800- 17000 Hz
- Voice coil diameter 72.2 mm. 2.87 in.
- Dispersion 90° conical

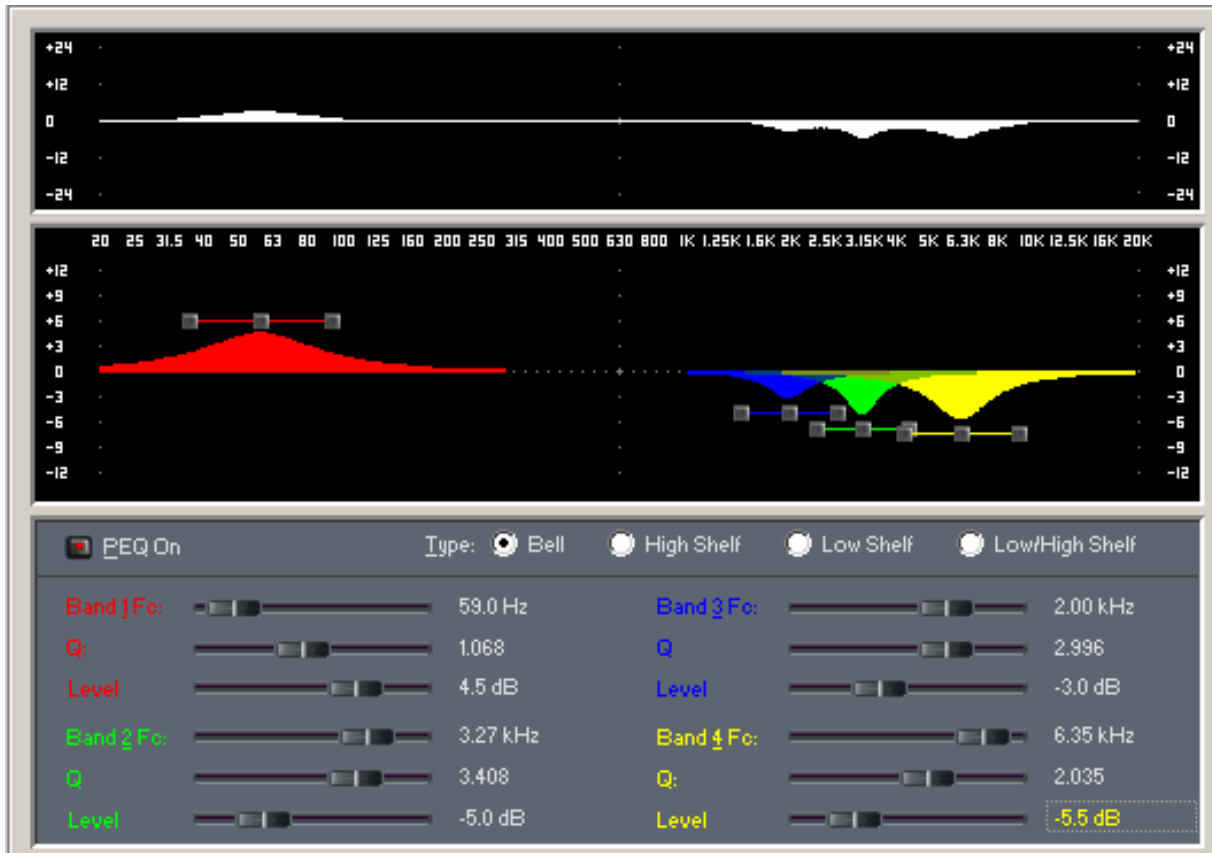
Notes:

*The power capacity is determined according to AES2-1984 (r2003) standard.
Program power is defined as the transducer's ability to handle normal music program material.



DIMENSION DRAWINGS





SM15/2 Crossover

