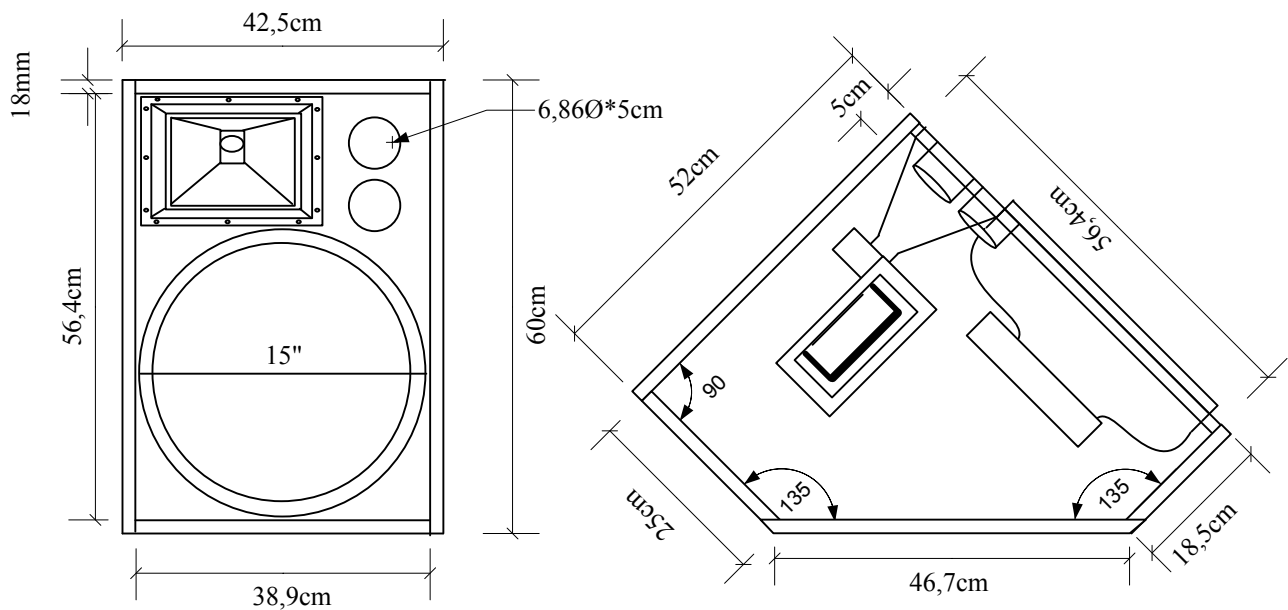
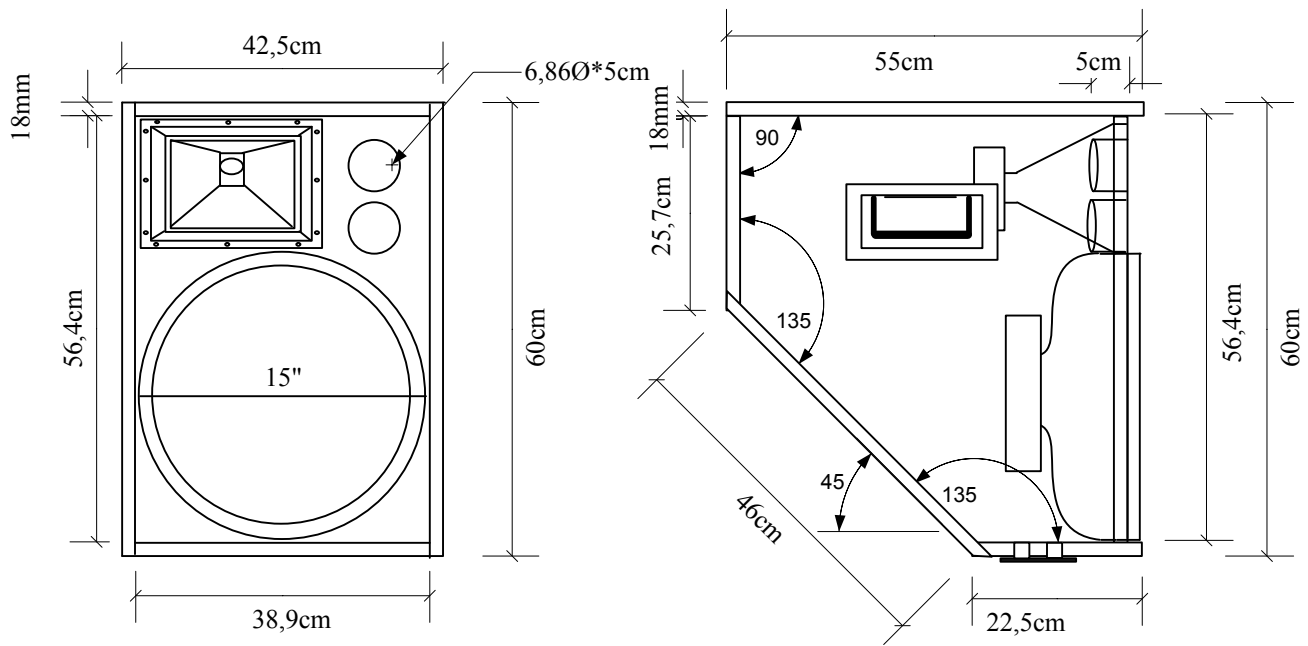


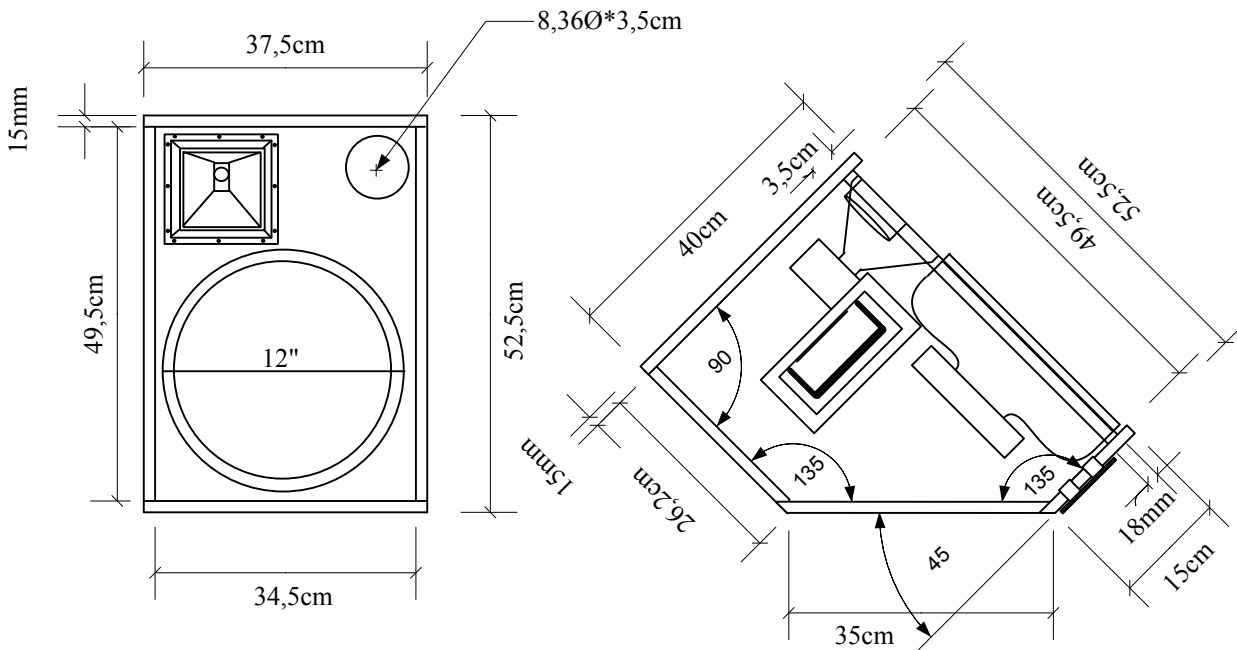
Model	Enclosure Design	Frequency Response	Efficiency	Power / imp.
Mon151	Fullrange vented	50Hz - 20KHz	96dB 1W/1M	600W RMS / 8ohm
Components	Kast: MDF 20mm			Netto inhoud: 80Lts
	Eminence Kappa 15LF 500w/8ohm			
	Eminence PSD2000 driver - 80w/8ohm/106dB + Beyma TD235 90*60hoorn			
passief filter Beyma F250 1,8KHz/12dB 500w/8ohm Basspeaker ingefreesd in de zijanten				
Ontwerp: Originele uitvoering: Ed Booter jan 1987 / blues & rock model				



Model	Enclosure Design	Frequency Response	Efficiency	Power / imp.
Mon151	Fullrange vented	53~ 18KHz -3dB	98dB 1W/1M	500W RMS / 8ohm
Components	Kast: 18mm berken multiplex		Ed Booter Blues / Rock model	
	SL SP15A-402PA basspeaker - 400w/8ohm/98dB			
	SL MRD160 driver - 60w/8ohm/106dB + Beyma TD235 90*60hoorn			
	Highpass 30Hz 4de order - passief filter 1600Hz 12dB/18dB 500w/8ohm			
Ontwerp: van den Hoogen's Servicebedrijf / Boi van den Hoogen / www.boyzpc.nl / 15-07-2004				



Model	Enclosure Design	Frequency Response	Efficiency	Power / imp.
Mon151	Fullrange vented	53~ 18KHz	98,5dB 1W/1M	500W / 8ohm
Components	Kast: 18mm berken multiplex			Netto inhoud: 89,5Ltr
	SL SP15A-402PA basspeaker - 400w/8ohm/98dB			
	P-Audio SD-450N driver - 50w/8ohm/106dB + Beyma TD245 60*40hoorn			
	Highpass 50Hz 4de order passief filter 1600hz-12dB-500w/8ohm Ed Booter Blues / Rock model			
Ontwerp: van den Hoogen's Servicebedrijf / Boi van den Hoogen / www.boyzpc.nl / 15-07-2004				



Model	Enclosure Design	Frequency Response	Efficiency	Power / imp.
Mon121	Fullrange vented	59~ 19KHz -3dB	96,5dB 1W/1M	400W / 8ohm
Components	Kast: 15mm berken multiplex			Netto inhoud: 49,5Ltr
	SL SP12-302PA basspeaker - 300w/8ohm/98dB			
	P-Audio SD-450N driver - 50w/8ohm/106dB + B&C ME20 90*60hoorn			
	Highpass 50Hz 4de order passief filter 1200hz 12dB-500w/8ohm			
Ontwerp: van den Hoogen's Servicebedrijf / Boi van den Hoogen / www.boyzpc.nl / 18-09-2007				