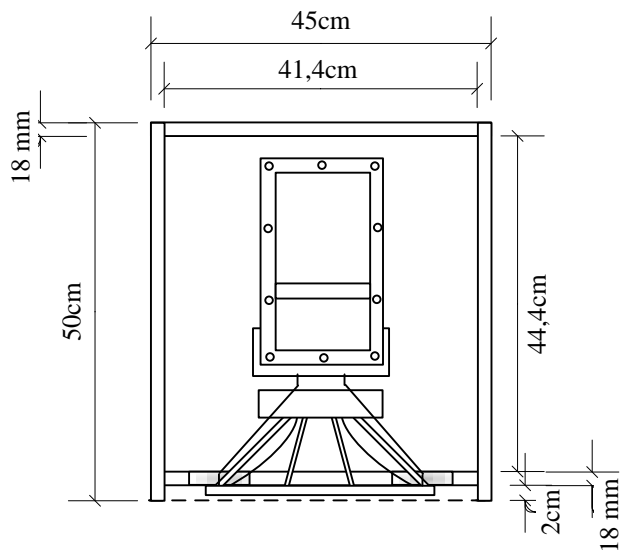
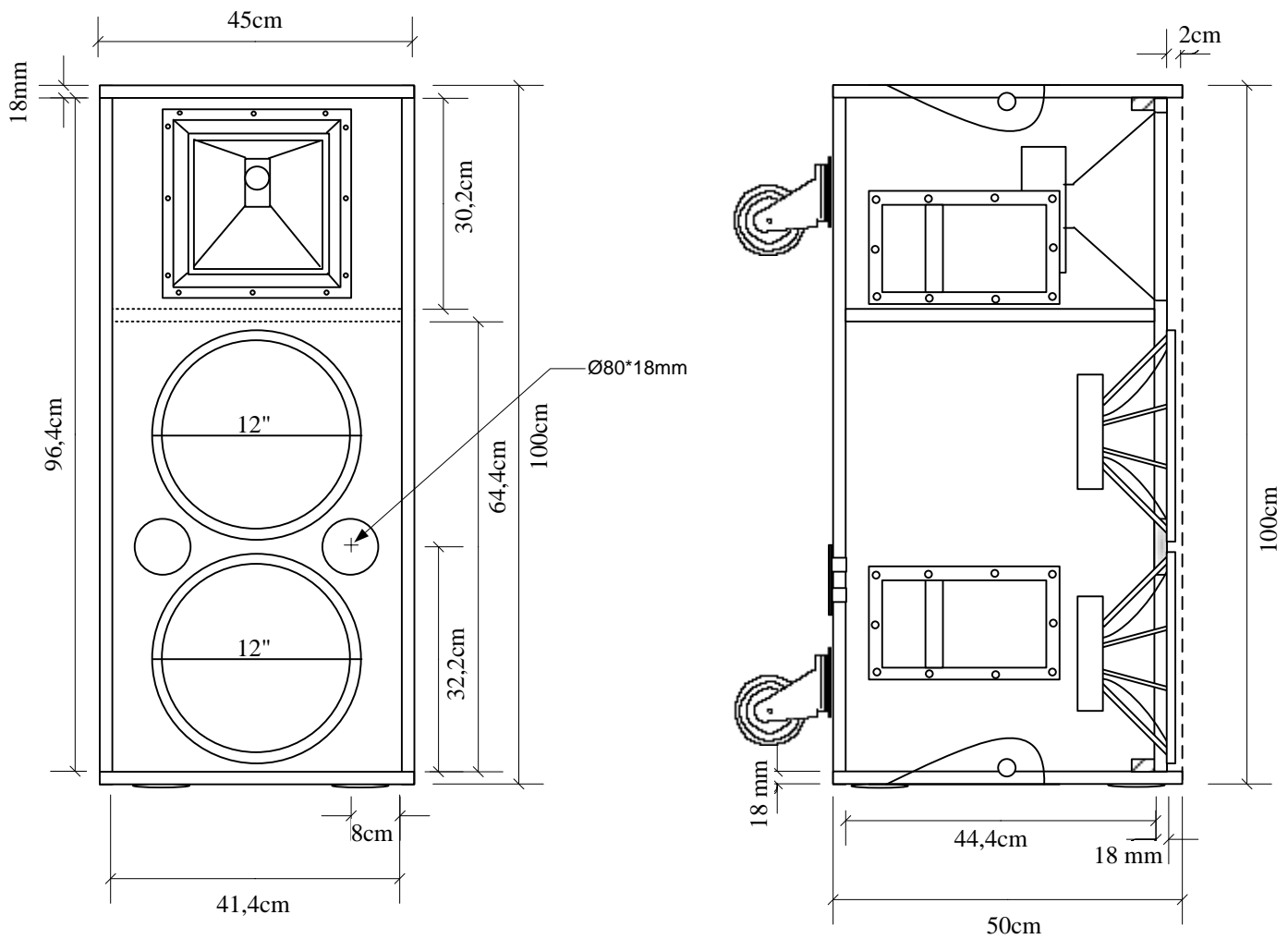


Model	Enclosure Design	Frequency Response	Efficiency	Power / imp.
SW 215	Bass reflex	38~ 183Hz -3dB	97,8dB 1W / 1M	2400W AES / 4ohm of
Components	Kast: Berken multiplex 18mm			2x 1200W AES / 8ohm
	Bass: Beyma 15P1200N 1200W/8ohm/258~1800Hz			Netto inhoud 250Ltr
	Highpass 30Hz Lowpass 180Hz 8ste order EQ 45Hz/Q=3/G=-1,0dB 70Hz/Q=1/G=+2,0dB			
Ontwerp: van den Hoogen's Servicebedrijf / Boi van den Hoogen / www.soundshopschylge.nl / 26-09-2012				



Model	Enclosure Design	Frequency Response	Efficiency	Power / imp.
TK 212	Bass reflex	164~ 18KHz -3dB	100,5dB 1W / 1M	800W+100 AES - 4/8ohm
Components	Kast: Berken multiplex 18mm			Netto inhoud 117,5Ltr
	BassMid: PD 122 400W/8ohm/ 45~3500Hz			
	High: B&C DE700 110W/8ohm/ 0,5~18KHz + ME90 80*60hoorn of Beyma TD385 80*50			
Highpass 160Hz - 1200~1600Hz 8ste order EQ 45Hz/Q=3/G=-1,0dB 70Hz/Q=1/G=+2,0dB				
Ontwerp: van den Hoogen's Servicebedrijf / Boi van den Hoogen / www.soundshopschylge.nl / 26-09-2012				