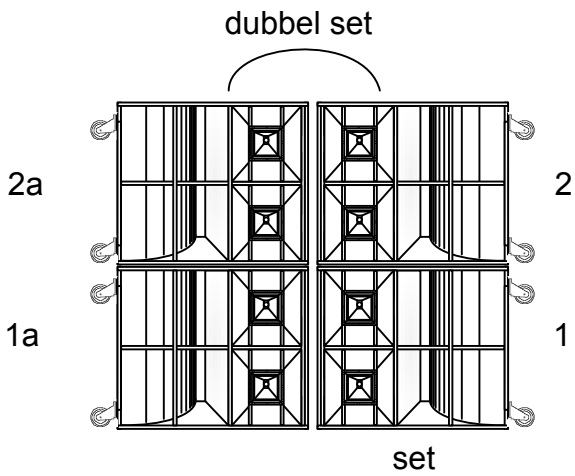
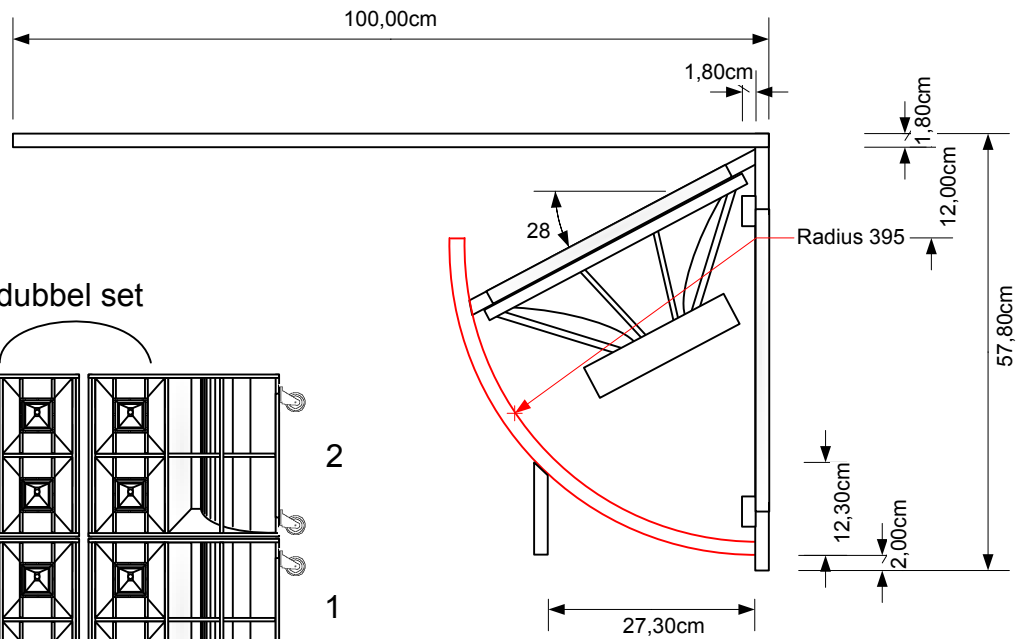
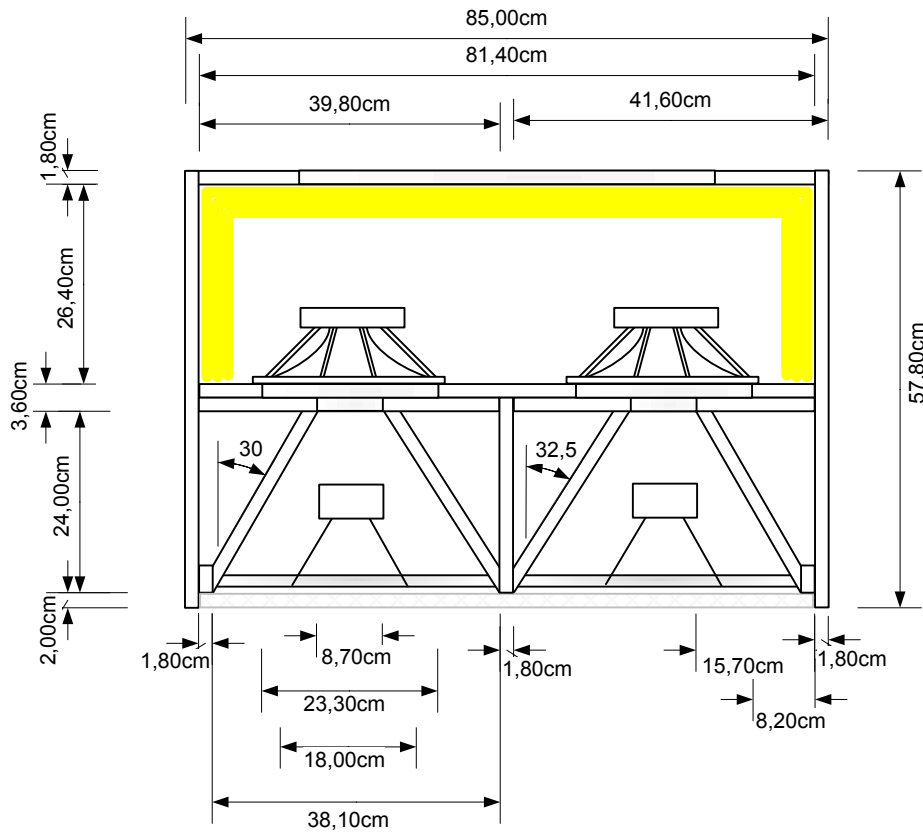


Model	Enclosure Design	Frequency Response	Efficiency	Power / imp.
TMS-3a	Horn kast	80Hz ~ 20KHz -3dB	105dB 1W/1M L	900W aes/ 4ohm L
Components	Kast: Fins berken multiplex 18mm		99dB 1W/1M MH	700W aes/ 4ohm M
	Eminence KappaLite 3015 450Waes/8ohm/98dB 28-2500Hz			100W aes/ 4ohm H
	Eminence Delta 10A 350Waes/8ohm/98,5dB 63-3700Hz			Inhoud: f62Ltr/ r182Ltr
	RCF ND350 50Waes/8ohm/109dB 1,2-20KHz – HF101 hoorn 90*70			Inhoud: m81,5Ltr
Lowcut 80Hz 8ste order / Lowpass 180Hz/ Bandpass 180-1600Hz Highpass 1600Hz 8ste order				
EQLow 150Hz/Q=2/G=-2,5dB 180Hz/Q=3/G=+1dB / EQBand 180Hz/Q=2/G=+2,5dB 1600Hz/Q=3/G=+2,0dB				
Ontwerp: van den Hoogen's Servicebedrijf / Boi van den Hoogen / www.soundshopschylge.nl / 28-09-2011				



Model	Enclosure Design	Frequency Response	Efficiency	Power / imp.
TMS-3a	Horn kast			
Components	Kast: Fins berken multiplex 18mm			