

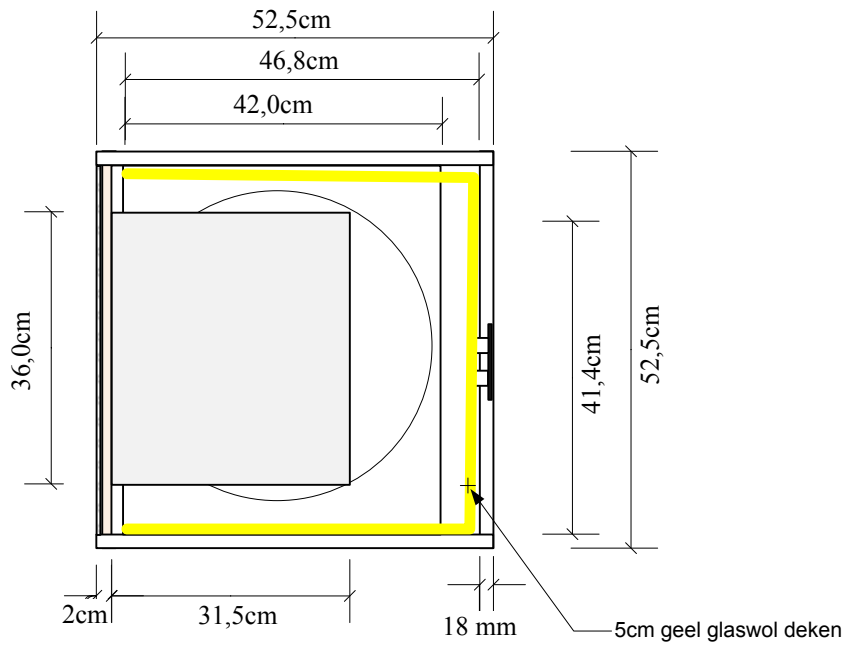
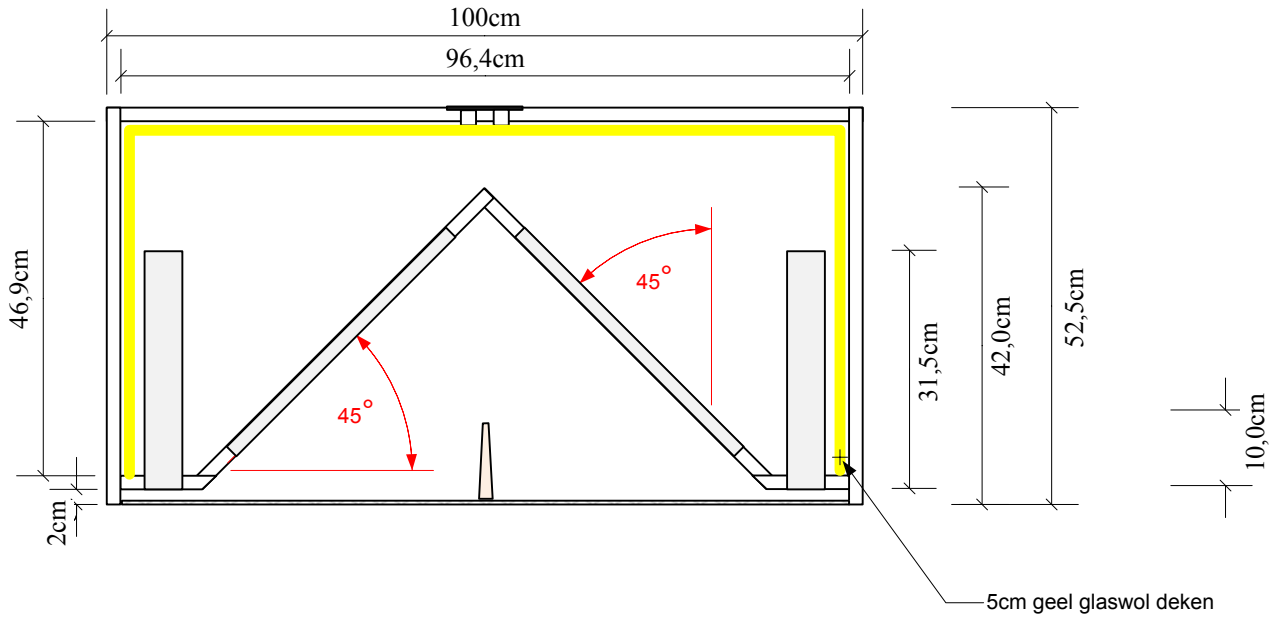
Model	Enclosure Design	Frequency Response	Efficiency	Power / imp.
VTX4888	Line Array			
Components	Kast: Berken multiplex 15mm			
Ontwerp: van den Hoogen's Servicebedrijf / Boi van den Hoogen / www.soundshopschylge.nl / 22-04-2016				

Model	Enclosure Design	Frequency Response	Efficiency	Power / imp.
VTX4888	3x Line Array	51,5 ~ 20KHz	111,5dB /1w /1mtr	High 480W AES 4ohm
Components	Kast: Berken multiplex 15mm		104,7dB /1w /1mtr	Mid 1200W AES 2,3ohm
			104,9dB /1w /1mtr	Low1 1800W AES 2,3ohm Low2 1800W AES 2,3ohm
Highpass 40Hz Lowpass 500Hz 8ste order				
Highpass 500Hz Lowpass 1500Hz 8ste order				

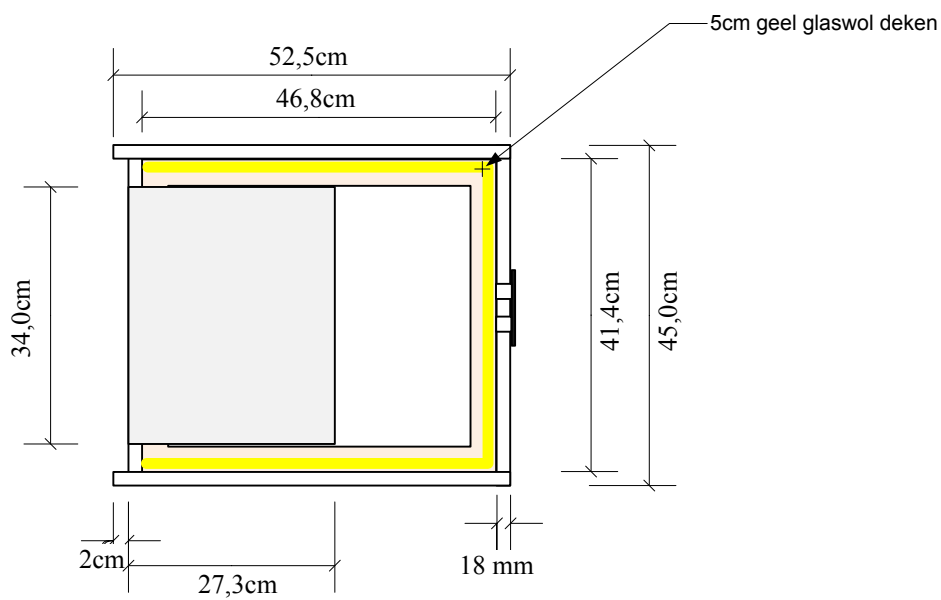
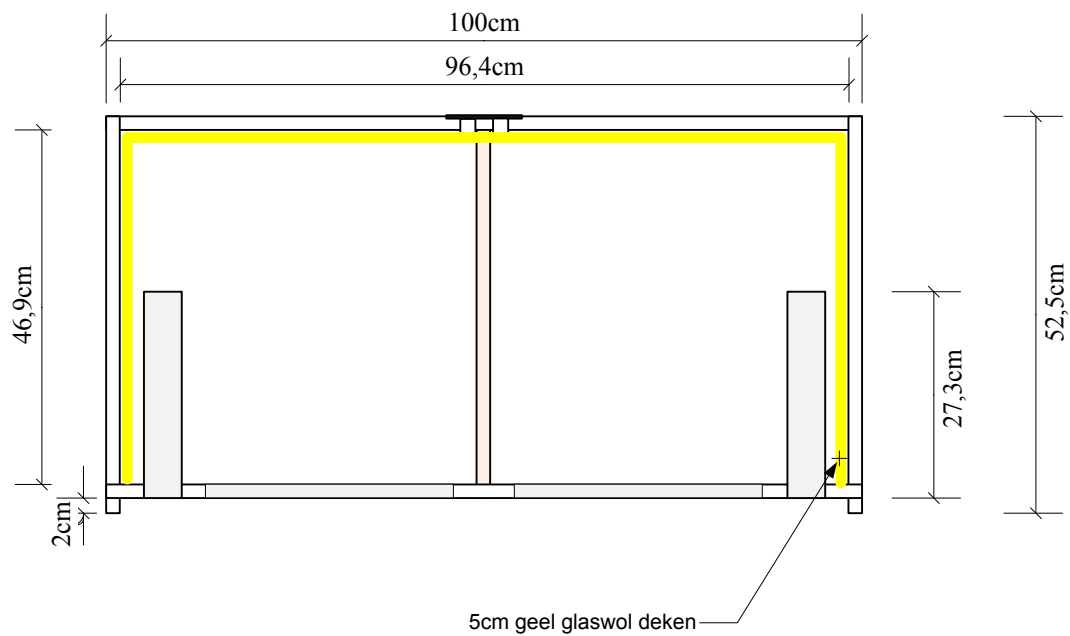
Model	Enclosure Design	Frequency Response	Efficiency	Power / imp.
VTX4888	4x Line Array	51,5 ~ 20KHz	113,0dB /1w /1mtr	High 640W AES 2ohm
Components	Kast: Berken multiplex 15mm		106,1dB /1w /1mtr	Mid 1600W AES 2ohm
			106,3dB /1w /1mtr	Low1 2400W AES 2ohm Low2 2400W AES 2ohm
Highpass 40Hz Lowpass 500Hz 8ste order				
Highpass 500Hz Lowpass 1500Hz 8ste order				

Model	Enclosure Design	Frequency Response	Efficiency	Power / imp.
VTX4888s1	2x Line Array sub	35,5/37,5 ~ 101Hz	100,9dB /1w /1mtr	Low 3200W AES 2ohm
Components	Kast: Berken multiplex 18mm		102,0dB /1w /1mtr	Low 2x 1600W AES 4ohm
15": L15P200AK 38Hz/Q=3/G= +4,0dB 50Hz/Q=1/G= +0,5dB 100Hz/Q=3/G= +0,5dB				Low 2800W AES 2ohm
15": PDN15BR40 40Hz/Q=3/G= +6,0dB 85Hz/Q=1/G= -0,5dB				Low 2x 1400W AES 4ohm
Highpass 30Hz Lowpass 100Hz 8ste order EQ				

Model	Enclosure Design	Frequency Response	Efficiency	Power / imp.
VTX4888s2	2x Line Array sub	37,5/37 ~ 102Hz	102,9dB /1w /1mtr	Low 3200W AES 2ohm
Components	Kast: Berken multiplex 18mm		102,2dB /1w /1mtr	Low 2x 1600W AES 4ohm
18": PD 1850-II 40Hz/Q=3/G= +4,0dB 60Hz/Q=1/G= +2,5dB 100Hz/Q=3/G= +1,5dB				Low 4000W AES 2ohm
18": 18HP1022 40Hz/Q=3/G= +5,0dB 55Hz/Q=1/G= +1,0dB 100Hz/Q=3/G= +1,0dB				Low 2x 2000W AES 4ohm
Highpass 30Hz Lowpass 100Hz 8ste order				



Model	Enclosure Design	Frequency Response	Efficiency	Power / imp.
VTX4888s1	Line Array sub			
Components	Kast: Berken multiplex 15mm			Inhoud: 158Ltr
Ontwerp: van den Hoogen's Servicebedrijf / Boi van den Hoogen / www.soundshopschylge.nl / 24-04-2016				



Model	Enclosure Design	Frequency Response	Efficiency	Power / imp.
VTX4888s2	Line Array Sub			
Components	Kast: Berken multiplex 18mm			
				Inhoud: 185Ltr
Ontwerp: van den Hoogen's Servicebedrijf / Boi van den Hoogen / www.soundshopschylge.nl / 23-04-2016				