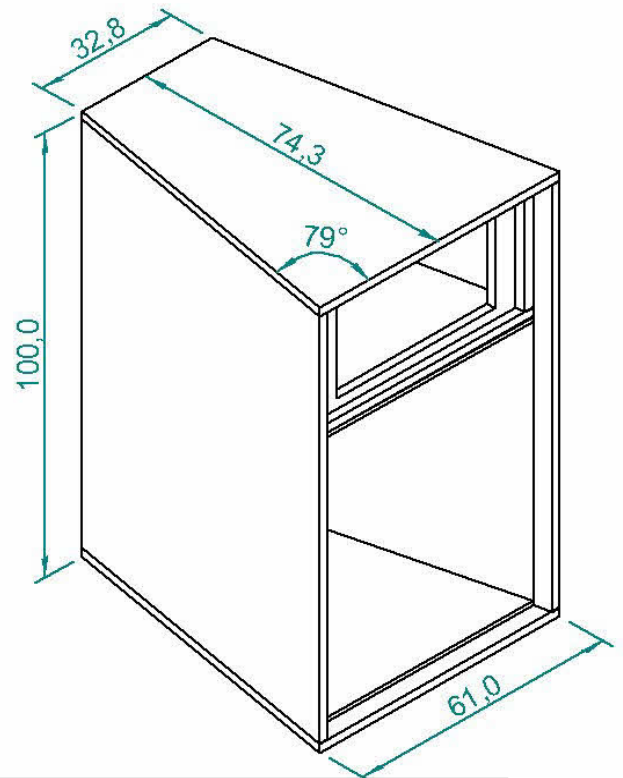
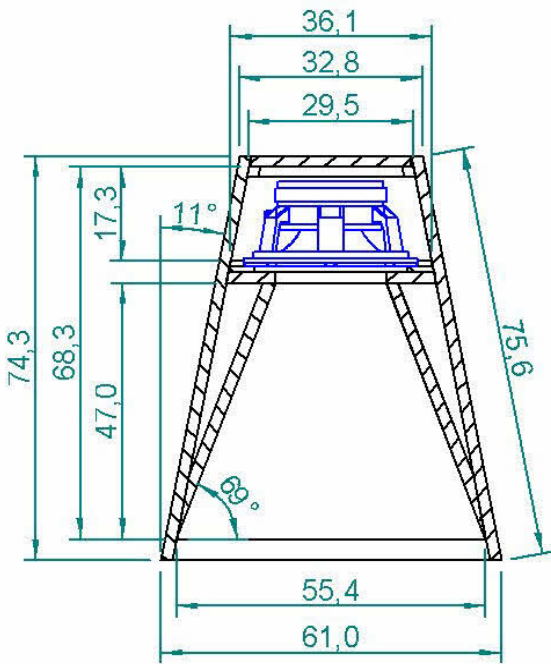
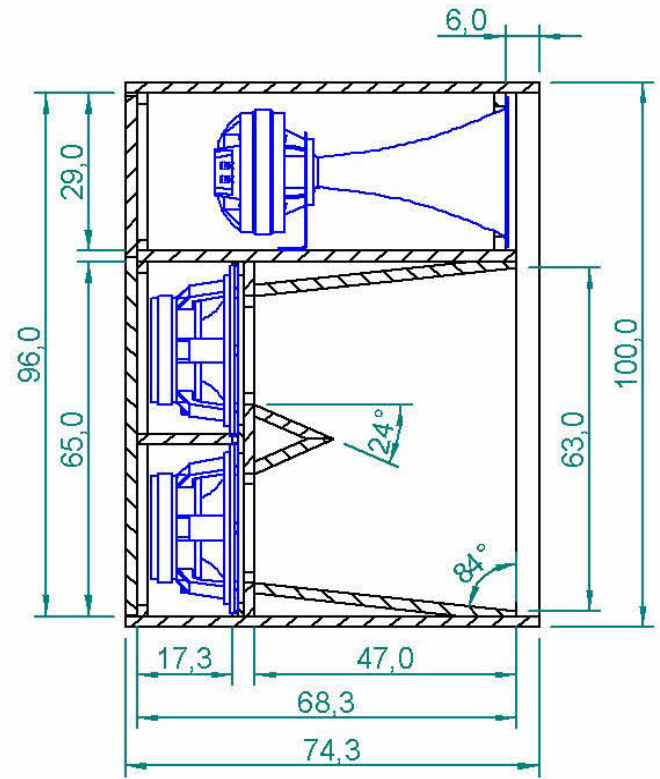
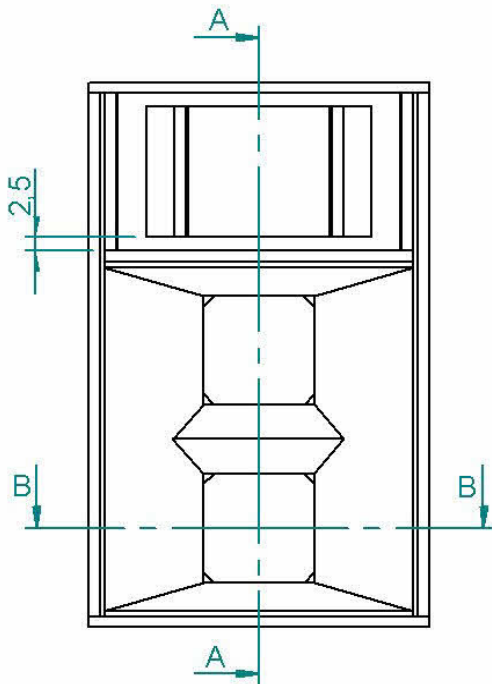


Model	Enclosure Design	Frequency Response	Efficiency	Power / imp.
PAS 5G1	Vented Sub	45~205Hz -3dB	100dB 1W / 1M	1600W RMS / 4ohm
Components	Kast: MDF 20mm			Netto inhoud: 194Ltr
	Precision Devices PD1850 35-2000Hz/800w/8Ohm			
Highpass 30Hz Lowpass 120Hz 8ste order 45Hz/Q=2/G=+0,5dB 95Hz/Q=1/G=+2dB 200Hz/Q=2/G=+1dB				
Ontwerp: van den Hoogen's Servicebedrijf / Boi van den Hoogen / www.boyzpc.nl / 15-02-2010				



Model	Enclosure Design	Frequency Response	Efficiency	Power / imp.
PAS 5MA1	Hornloaded top	202~ 20KHz -3dB	100dB 1W / 1M	400W RMS / 4ohm
Components	Kast: MDF 20mm			Netto inhoud: 35Ltr
	Precision Devices PD122 45-3500Hz/400w/8Ohm			
	P-audio SD750N 0,8-20KHz/80w/8Ohm + PH-4530 60*40			
Hp 200Hz 8ste order 200Hz/Q=1/G=+2dB passief 1200Hz/12dB/okt				
Ontwerp: van den Hoogen's Servicebedrijf / Boi van den Hoogen / www.boyzpc.nl / 15-02-2010				