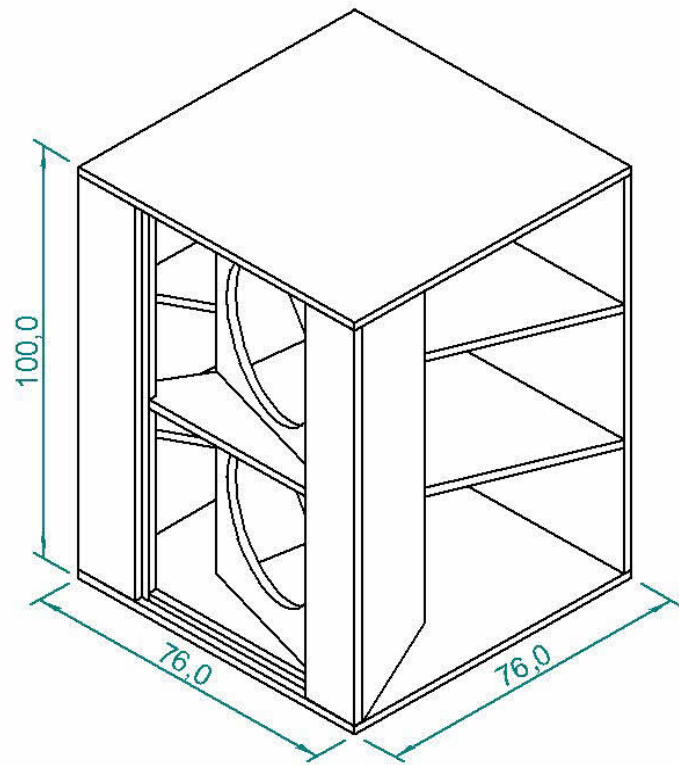


A



Model	Enclosure Design	Frequency Response	Efficiency	Power / imp.
PAS hb1505d1	Horn loaded Sub	50~150Hz -3dB	105dB 1W / 1M	1400W RMS / 4ohm
Components	Kast: Berken multiplex 18mm			Netto inhoud: 126Ltr
	Precision Devices PDN15BR40 40-2500Hz/700w/80hm			
	Highpass 50Hz Lowpass 150Hz 8ste order 120Hz/Q=2/G=+3dB			
Ontwerp: van den Hoogen's Servicebedrijf / Boi van den Hoogen / www.boyzpc.nl / 15-02-2010				