

**BILL WOODS DESIGNS**

## **Club 2 by 4 Sub-woofer**

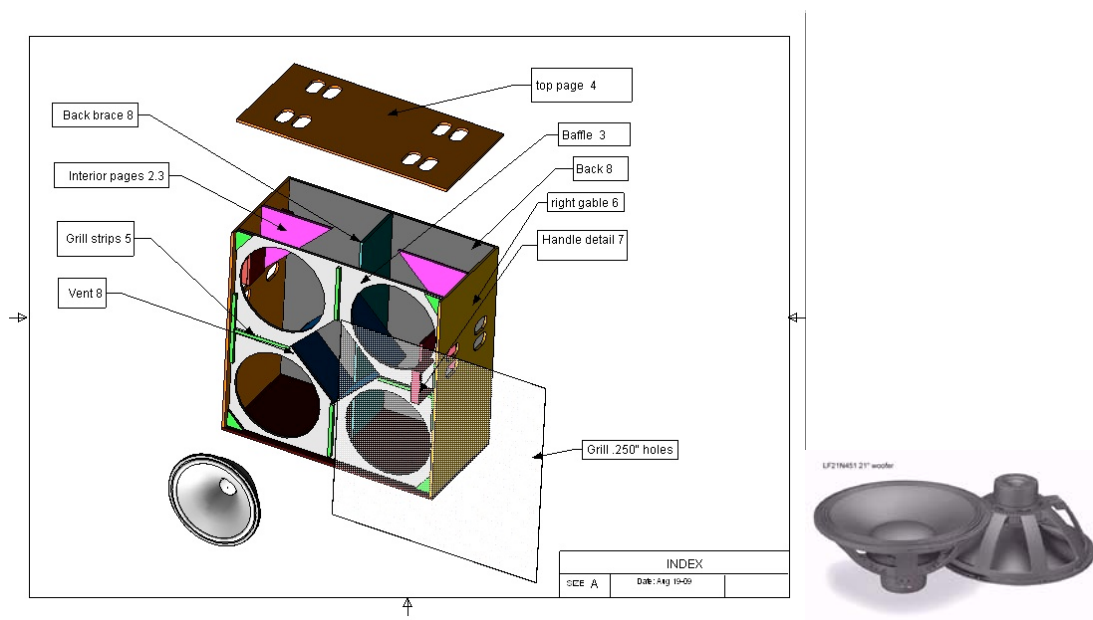
Four LF21N451 21" woofers

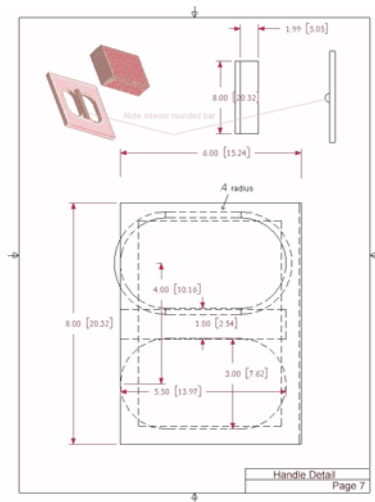
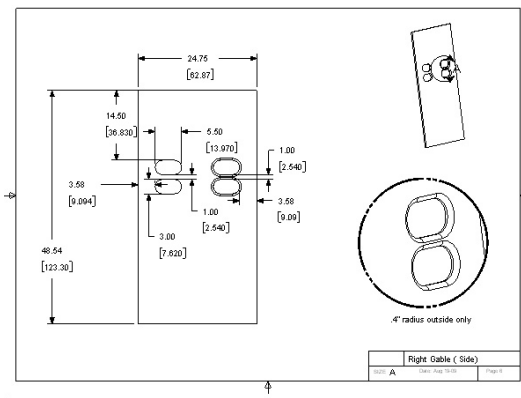
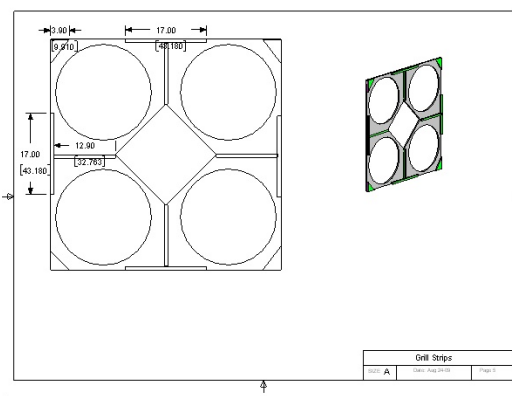
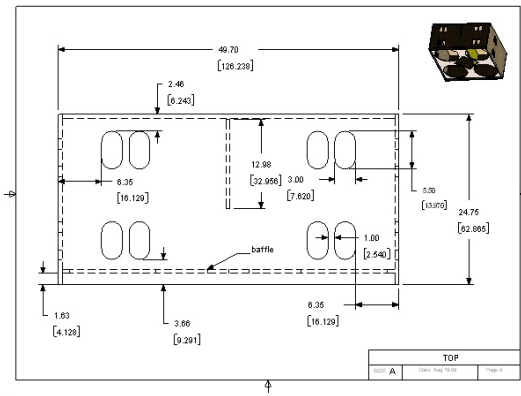
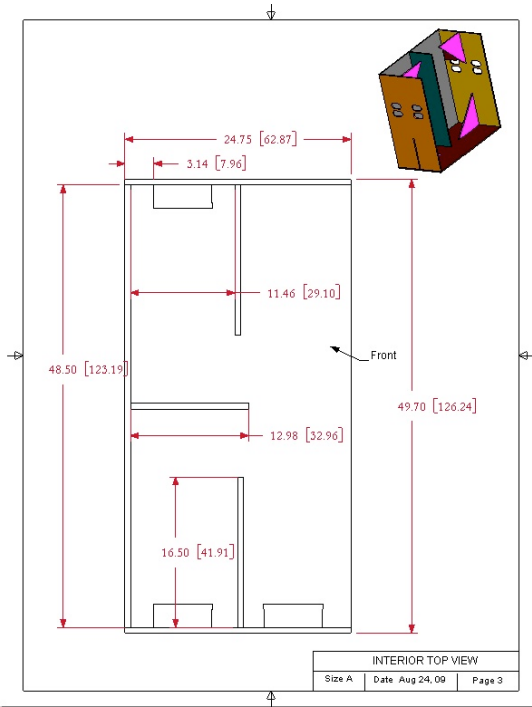
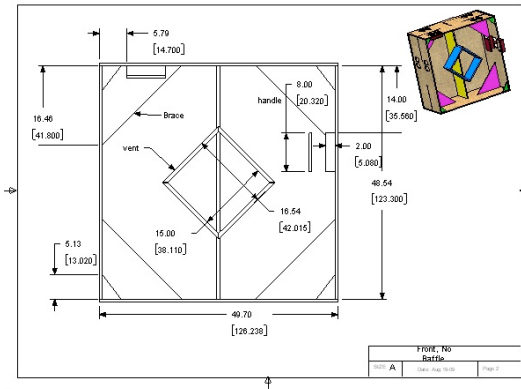
Very high power subwoofer system for the most demanding venues.

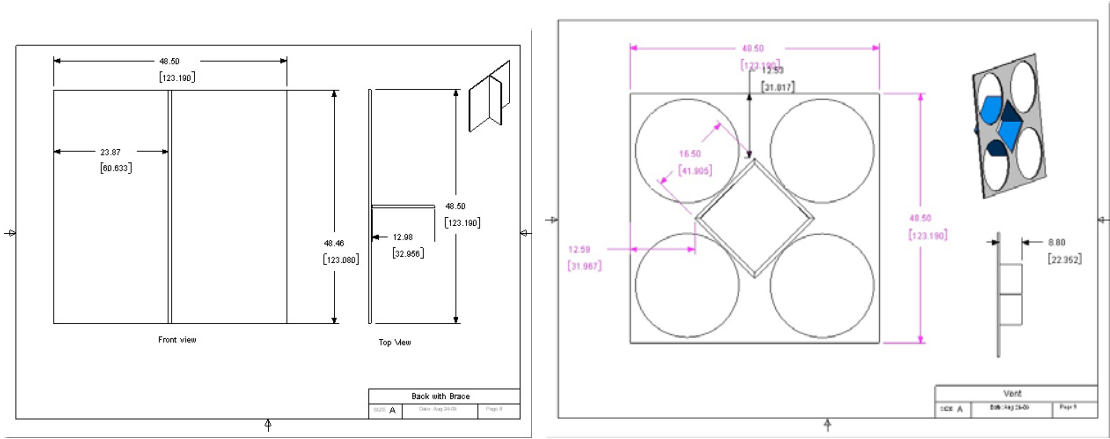
Massive low frequency output from four 21" woofers in one enclosure.

6000 watts of power (\* 12000 watts program power)  
Cargo 34 cubic feet ( 962 liters), and is truck pack friendly.  
Extremely ridged enclosure design.

The definitive choice in low frequency output.







\*1 Program Power is defined as 3 dB greater than AES power. - 2 AES standard. - 3 Sensitivity measurement is based on a 100-500 Hz pink noise signal with input power of 2.83V @ 8 Ohms. - 4 Thiele-Small parameters are measured after a 2 hour warm up period running the loudspeaker at full power handling capacity. - 5 The maximum linear excursion is calculated as:  $(H_{vc} - H_g)/2 + H_g/4$  where  $H_{vc}$  is the voice coil depth and  $H_g$  the gap depth. - 6 Calculated for front mounting on 18 mm thick board.