

**BILL WOODS DESIGNS**

# Pro Constructor series

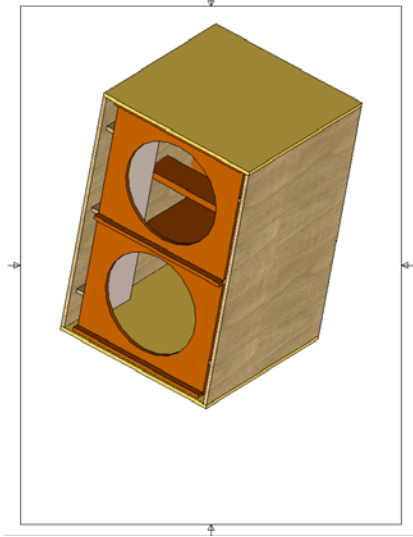
## Sub 2x18 – High Power low frequency

The Sub 2x18 is a very high power, compact, low frequency sub-woofer.

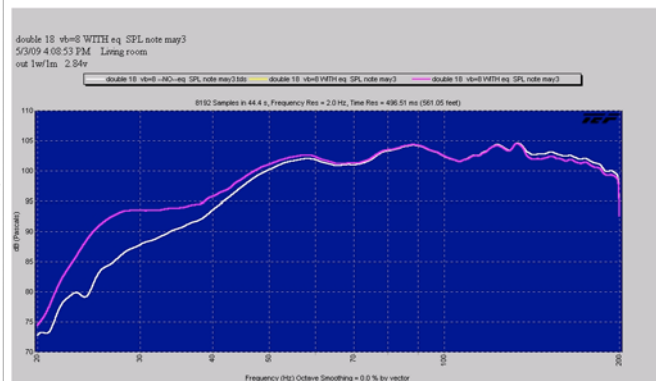
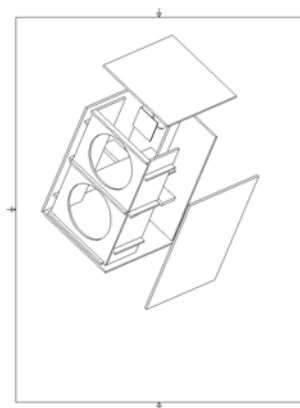
Ideal for Club, Concert.

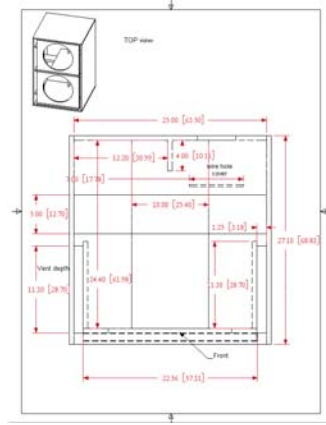
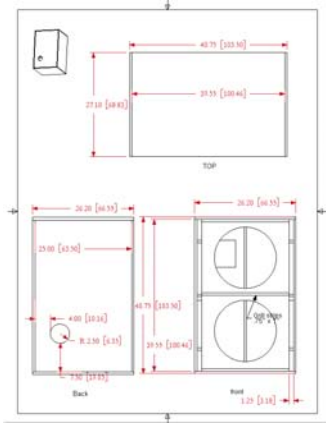
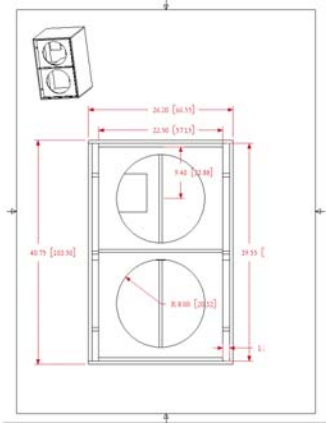
Application: Where very high low frequency output is required.

2000 watts, upper cross-over point 80Hz to 200Hz



[L18p-400](#)





Speaker design by the Acoustic Horn co.