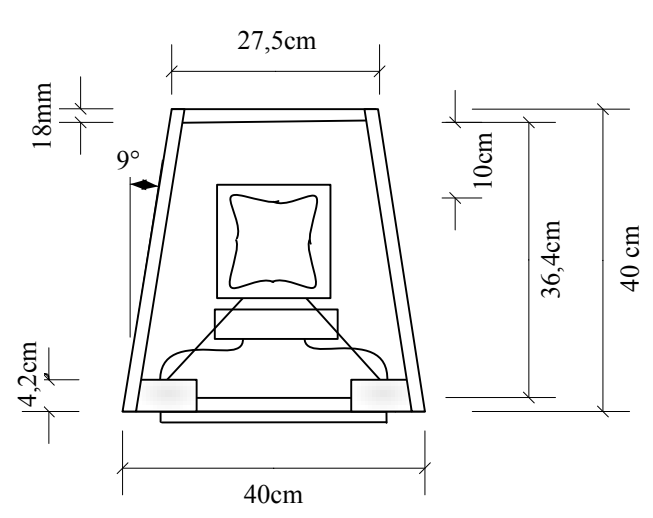
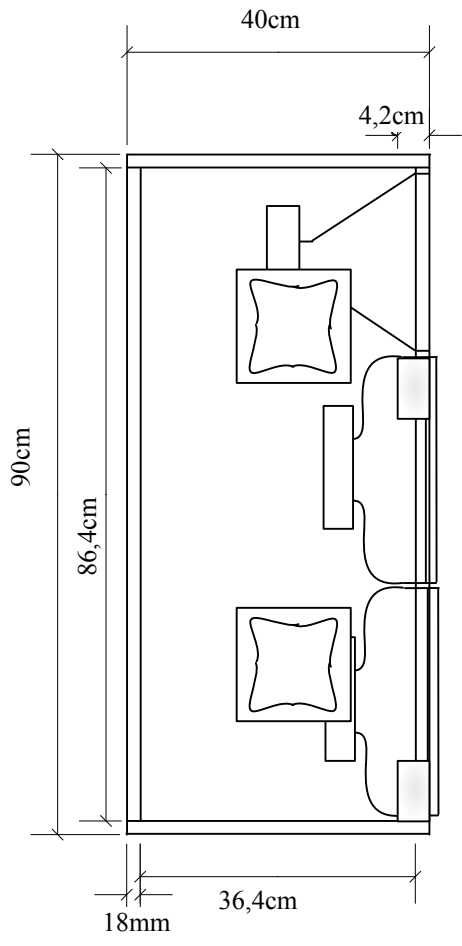
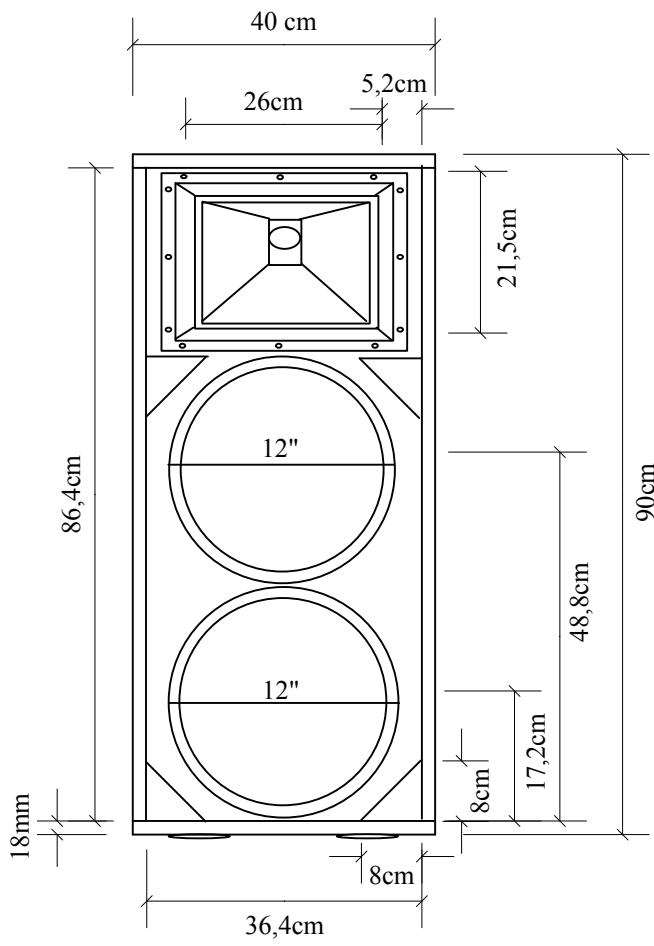


Model	Enclosure Design	Frequency Response	Efficiency	Power / imp.
SW-218	Bass reflex	38~102Hz -3dB	100dB 1W / 1M	1600W AES / 4ohm
Components	Kast: Berken multiplex 18mm			Netto inhoud 306Ltr
	Subwoofer: 2x RCF L18P200N 700W/98dB 32-2000Hz			
	Highpass 30Hz/lowpass 100Hz 4de/8ste order EQ 40Hz/Q=3/G=+2dB			
Ontwerp: van den Hoogen's Servicebedrijf / Boi van den Hoogen / www.boyzpc.nl / 17-11-2003				



Model	Enclosure Design	Frequency Response	Efficiency	Power / imp.
T2121	Fullrange vented	98~ 20KHz -3dB	100dB 1W/1M	900W AES / 4ohm
Components	Kast: Berken multiplex 18mm			Netto inhoud 80Ltr
	Bass/Mid: RCF L12P540 50Hz-4000Hz/400W/8ohm			
	Driver: RCF N850 90w/8ohm/0,5-20Khz – P-Audio PH3223 90*55hoorn			
	Highpass 100Hz 8ste order 300Hz/Q=1/G=-0,5dB passief filter 1200Hz 12dB/okt 4/8ohm			
Ontwerp: van den Hoogen's Servicebedrijf / Boi van den Hoogen / www.boyzpc.nl / 17-11-2003				