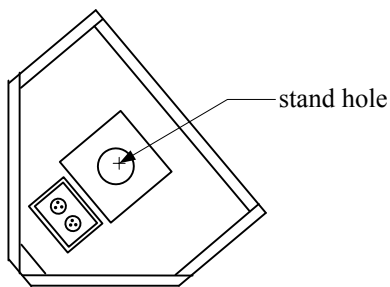
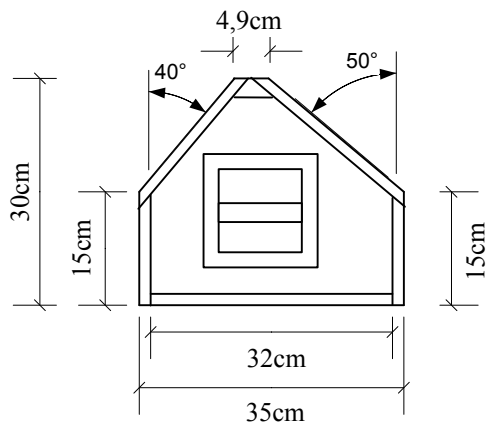
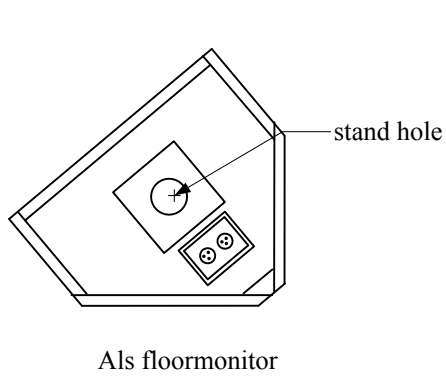
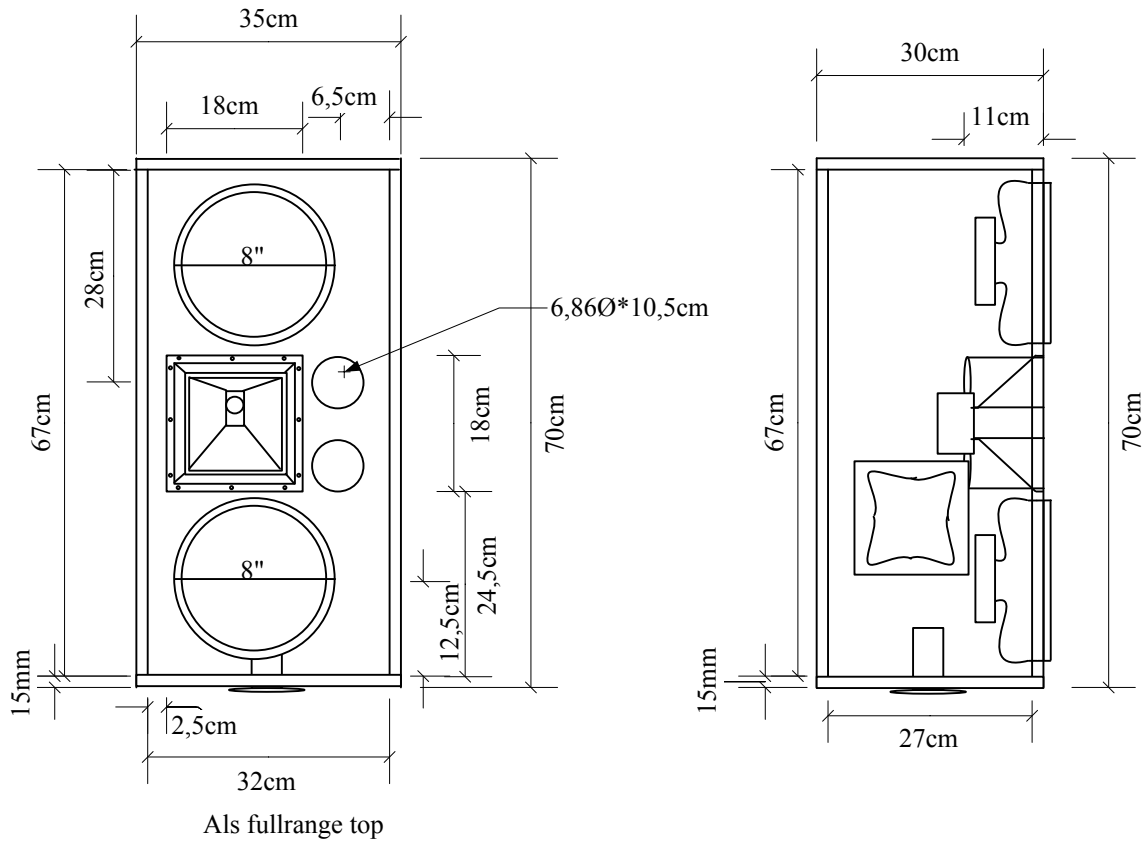


Model	Enclosure Design	Frequency Response	Efficiency	Power / imp.
TM281	Fullrange vented	56,5~ 20KHz -3dB	96dB 1W/1M	400W RMS / 4ohm
Components	Kast: Berken multiplex 15mm			Netto inhoud: 47Ltr
	Bass/Mid: RCF L8S800 50Hz-4000Hz/170W/8ohm			
	Driver: RCF N350 40w/8ohm/1.5-20Khz + H101 90*70hoorn			
	Highpass 30Hz 4de order - passief filter 1,6KHz/12dB/okt 4/8ohm			
Ontwerp: van den Hoogen's Servicebedrijf / Boi van den Hoogen / www.boyzpc.nl / 16-11-2003				



Model	Enclosure Design	Frequency Response	Efficiency	Power / imp.
TM281	Fullrange vented	60~ 20KHz -3dB	95,5dB 1W/1M	400W RMS / 4ohm
Components	Kast: Berken multiplex 15mm			Netto inhoud: 40Ltr
	Bass/Mid: RCF L8S800 50Hz-4000Hz/170W/8ohm			
	Driver: RCF N350 40w/8ohm/1.5-20Khz + H101 90*70hoorn			
	Highpass 30Hz 4de order - passief filter 1,6KHz/12dB/okt 4/8ohm			
Ontwerp: van den Hoogen's Servicebedrijf / Boi van den Hoogen / www.boyzpc.nl / 16-11-2003				