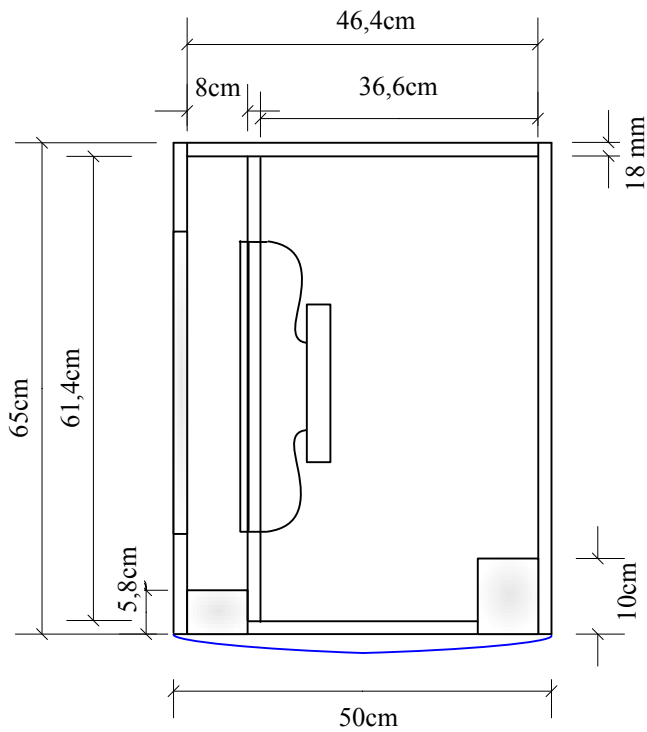
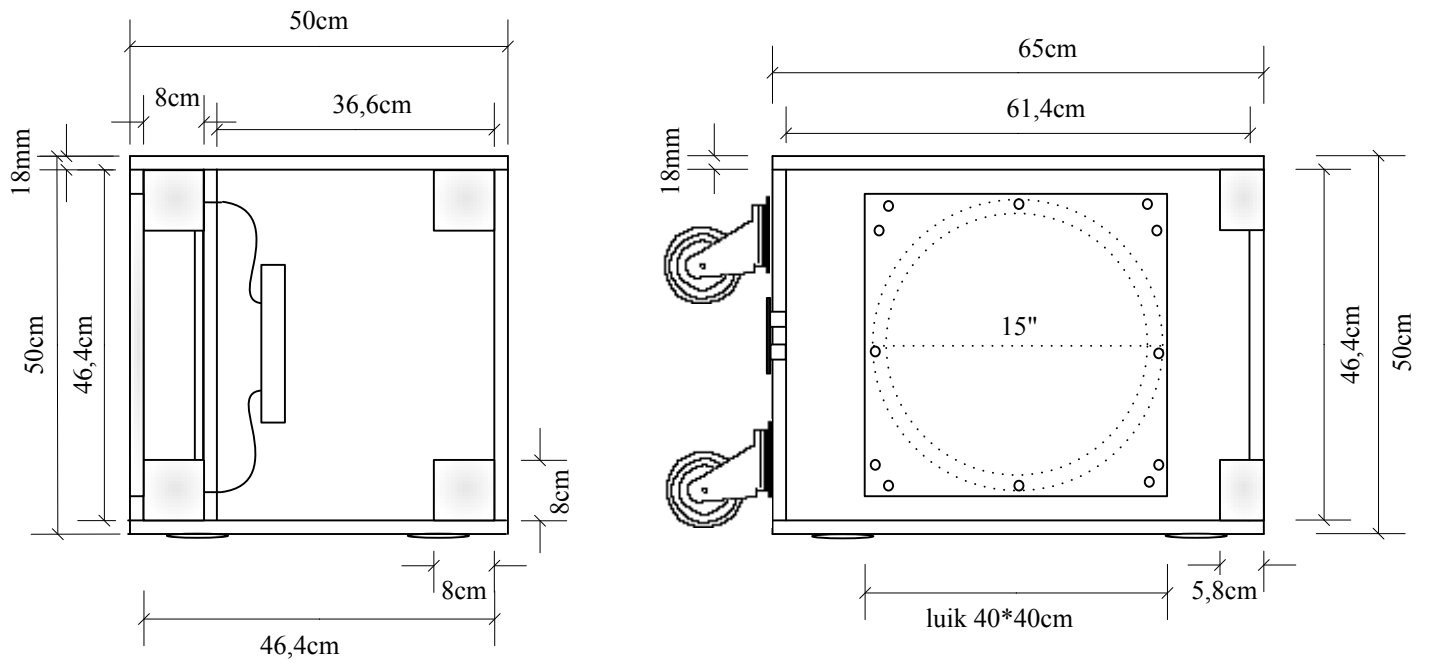
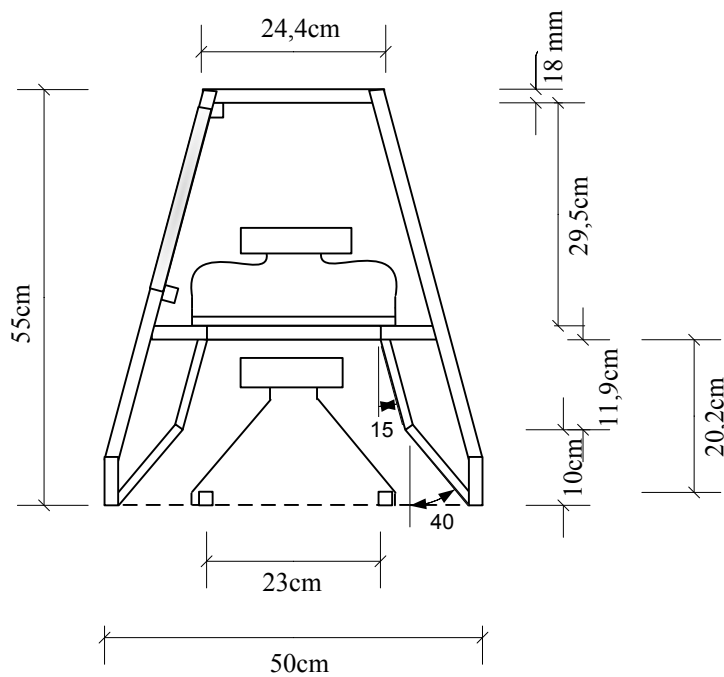
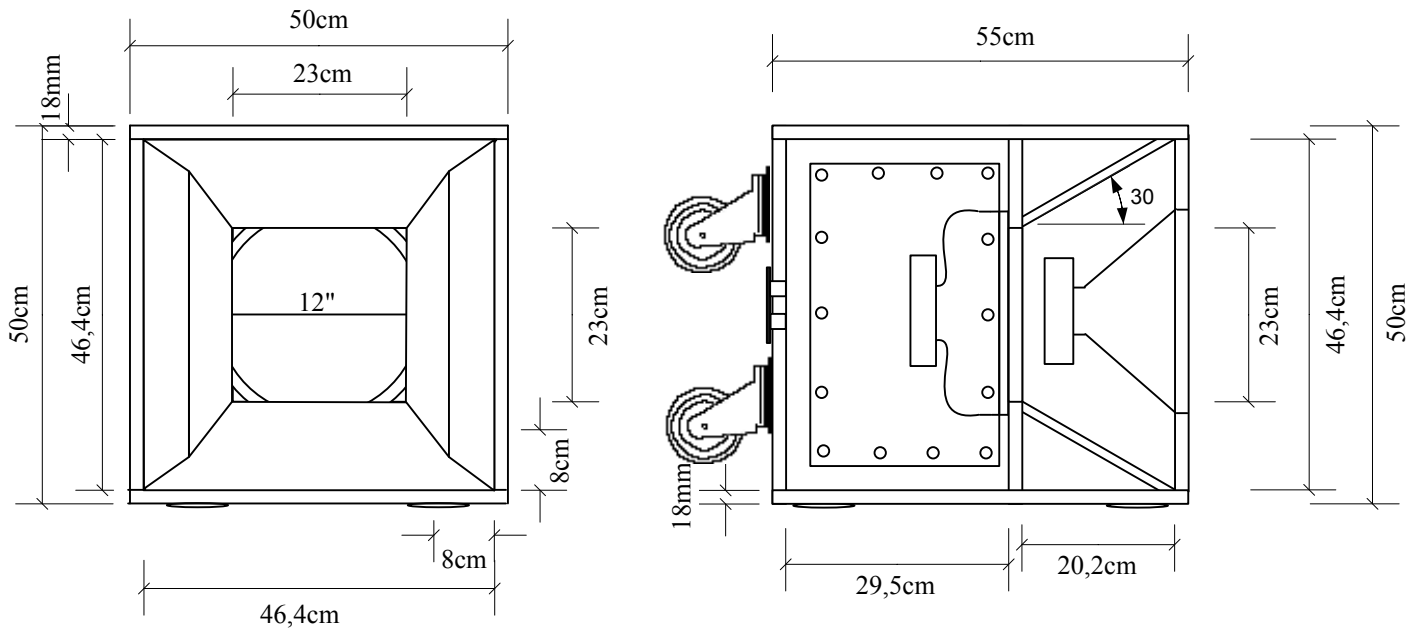


Model	Enclosure Design	Frequency Response	Efficiency	Power / imp.
FL18sub kast	Bass reflex	38~ 89Hz -3dB	97dB 1W/1M	1000W AES/8ohm
Components	Kast: Fins multiplex 18mm			Netto inhoud: 183Ltr
	Bass: RCF LF18X400 32Hz-1200Hz/1000W/8 ohm			
	Contr.settings: EQ Q=2 40Hz +2dB/ 50Hz -0,5dB/ 70Hz -1dB/ 85Hz +3,5dB			
Highpass 30Hz Lowpass 80Hz 4de order EQ 40Hz/Q=3/G=+1dB 80Hz/Q=3/G=+2,5dB				
Ontwerp: van den Hoogen's Servicebedrijf / Boi van den Hoogen / www.boyzpc.nl / 02-12-2005				



Model	Enclosure Design	Frequency Response	Efficiency	Power / imp.
FL15bass kast	Band pass	72~ 180Hz -3dB	97,5dB 1W/1M	800W AES/8ohm
Components	Kast: Fins multiplex 18mm		Netto inhoud: fr22,5Ltr/ r104Ltr	
	Bass: RCF MB15H401 30Hz-1500Hz/800W/8ohm			
	Highpass 80Hz Lowpass 180Hz 4de order EQ 50Hz/Q=3/G=+2,5dB 180Hz/Q=3/G=+1dB			
Ontwerp: van den Hoogen's Servicebedrijf / Boi van den Hoogen / www.boyzpc.nl / 02-12-2005				



Model	Enclosure Design	Frequency Response	Efficiency	Power / imp.
QL12top kast	Top coaxiaal 80*60	70Hz - 20KHz	98,5dB 1W/1M	500w/8ohm
Components	Kast: Fins multiplex 18mm			Netto inhoud: 47,5Ltr
	Bass: RCF MB12G301 50Hz-3000Hz/400W/8ohm			
	Driver: RCF ND650 0,7KHz-20KHz/40W/8ohm – B&C ME90 Hoorn 80*60			
	Highpass 180Hz 4de order, EQ 180Hz/Q=3/G=+4,5dB passief filter 1200Hz/12dB/8ohm			
Ontwerp: van den Hoogen's Servicebedrijf / Boi van den Hoogen / www.boyzpc.nl / 08-12-2005				