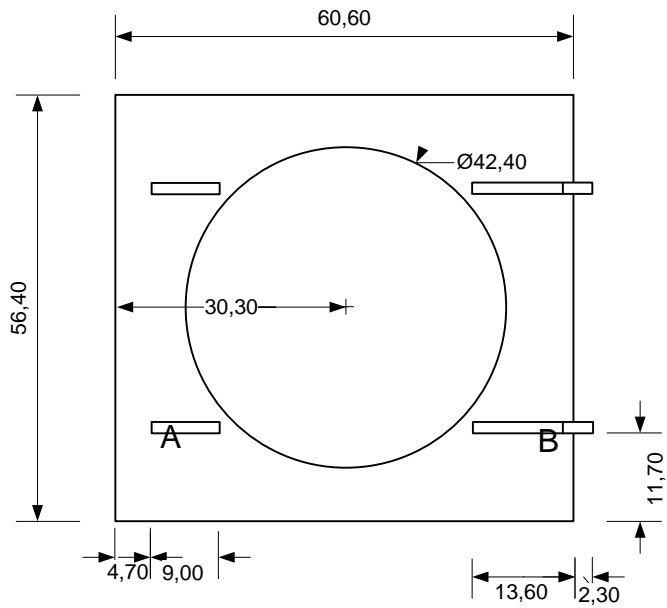


Model	Enclosure Design	Frequency Response	Efficiency	Power / imp.
MTH-4654	Tapped horn sub	37Hz ~ 100Hz -3dB	103dB 1W / 1M	900W aes/ 8ohm
Components of	Kast: Fins berken multiplex 18mm +15mm			
	RCF LF18G401 900W/8ohm/98dB 30-1000Hz			
	RCF LF21N451 1500W/8ohm/98dB 30-1000Hz 103,5dB 1500w aes/8ohm			
Lowcutt 30Hz 4de order Highcut 80Hz 4de order				
Ontwerp: van den Hoogen's Servicebedrijf / Boi van den Hoogen / www.soundshopschylge.nl / 26-03-2012				



Model	Enclosure Design	Frequency Response	Efficiency	Power / imp.
MTH-4654	Tapped horn sub	32Hz ~ 100Hz -3dB	103,5dB 1W / 1M	1500W aes/ 8ohm
Components of	Kast: Fins berken multiplex 18mm +15mm			
	RCF LF18G401 900W/8ohm/98dB 30-1000Hz 103dB 900w aes/8ohm			
	RCF LF21N451 1500W/8ohm/98dB 30-1000Hz			
	Lowcutt 30Hz 4de order Highcut 80Hz 4de order			
Ontwerp: van den Hoogen's Servicebedrijf / Boi van den Hoogen / www.soundshopschylge.nl / 26-03-2012				