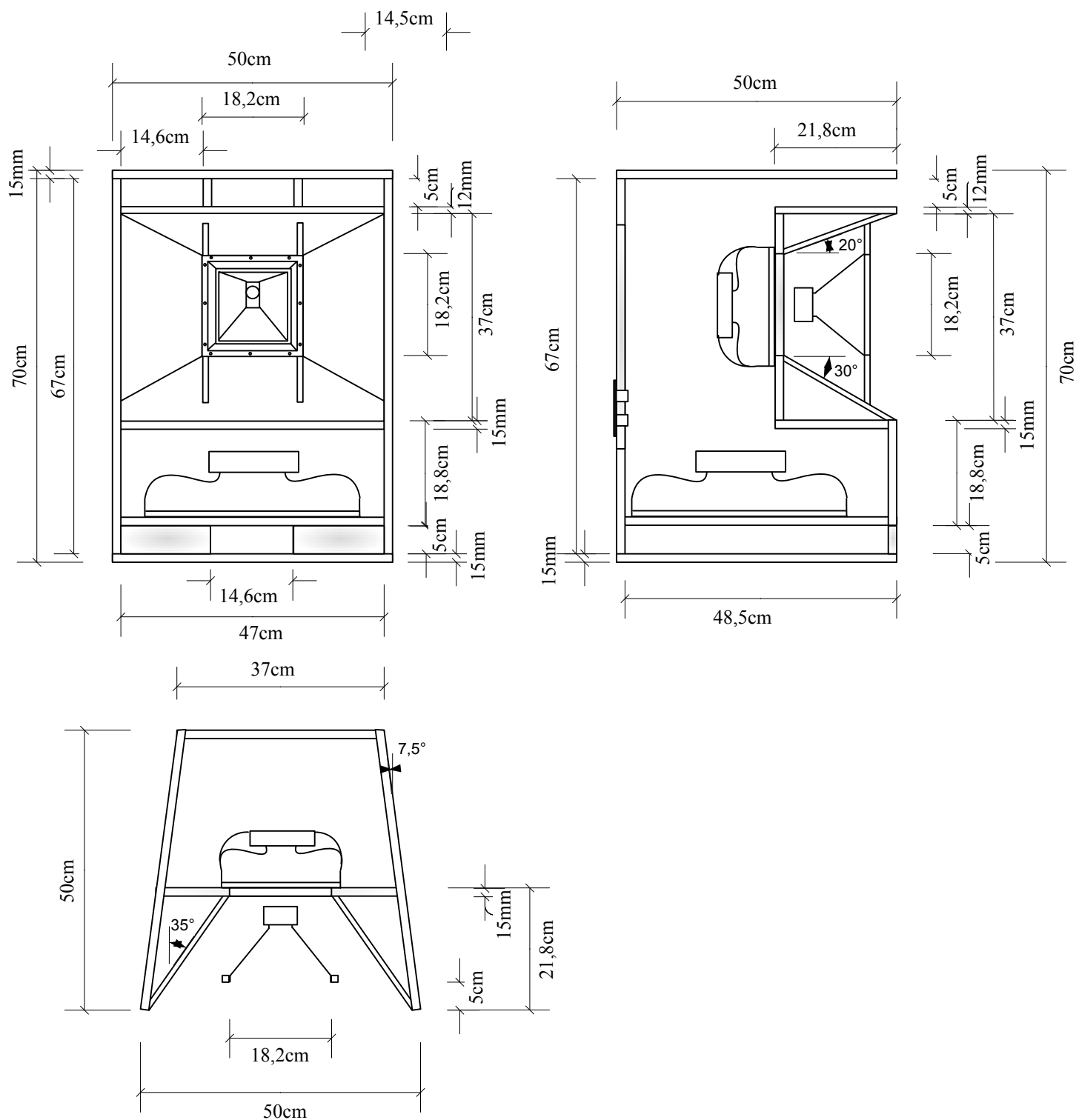


| Model                                                                                                | Enclosure Design                                                              | Frequency Response | Efficiency   | Power / imp.         |
|------------------------------------------------------------------------------------------------------|-------------------------------------------------------------------------------|--------------------|--------------|----------------------|
| Nova System                                                                                          | BassReflex sub                                                                | 37Hz ~ 89Hz -3dB   | 96,5dB 1W/1M | 800W AES/8ohm        |
| Components                                                                                           | Kast: Fins multiplex 18mm                                                     |                    |              | Netto inhoud: 126Ltr |
|                                                                                                      | Bass: RCF LF18X400 35Hz-2000Hz/800W/8ohm                                      |                    |              |                      |
|                                                                                                      | Highpass 30Hz Lowpass 80Hz 8ste order EQ 40Hz/Q=3/G=+4,0dB 80Hz/Q=3/G=+0,50dB |                    |              |                      |
| Ontwerp: van den Hoogen's Servicebedrijf / Boi van den Hoogen / www.soundshopschylge.nl / 06-09-2009 |                                                                               |                    |              |                      |



| Model                                                                                                | Enclosure Design                                          | Frequency Response | Efficiency | Power / imp.               |
|------------------------------------------------------------------------------------------------------|-----------------------------------------------------------|--------------------|------------|----------------------------|
| Nova System                                                                                          | Hornloaded top                                            | 75Hz ~ 20KHz -3dB  | 99dB 1W/1M | 900W + 300w AES/8ohm       |
| Components                                                                                           | Kast: Fins multiplex 15mm                                 |                    |            | Netto inhoud: f10 / r85Ltr |
|                                                                                                      | Bass/mid: RCF MB15N401 35Hz-1500Hz/900W/8ohm              |                    |            |                            |
|                                                                                                      | Mid: RCF MR8N301 300Hz-3000Hz/200W/8ohm                   |                    |            |                            |
|                                                                                                      | High: RCF ND350 1,2KHz-20KHz/50W/8ohm / Hoorn HF101 90*75 |                    |            |                            |
| Highpass 80Hz Lowpass 300Hz 4de order – Highpass 300Hz 4de order + passief filter 1600Hz 12dB/okt    |                                                           |                    |            |                            |
| EQ 80Hz/Q=2/G=+5,0dB 150Hz/Q=1/G=+0,50dB 200Hz/Q=2/G=-1,5dB 300Hz/Q=3/G=+3,5dB                       |                                                           |                    |            |                            |
| Ontwerp: van den Hoogen's Servicebedrijf / Boi van den Hoogen / www.soundshopschylge.nl / 06-09-2009 |                                                           |                    |            |                            |