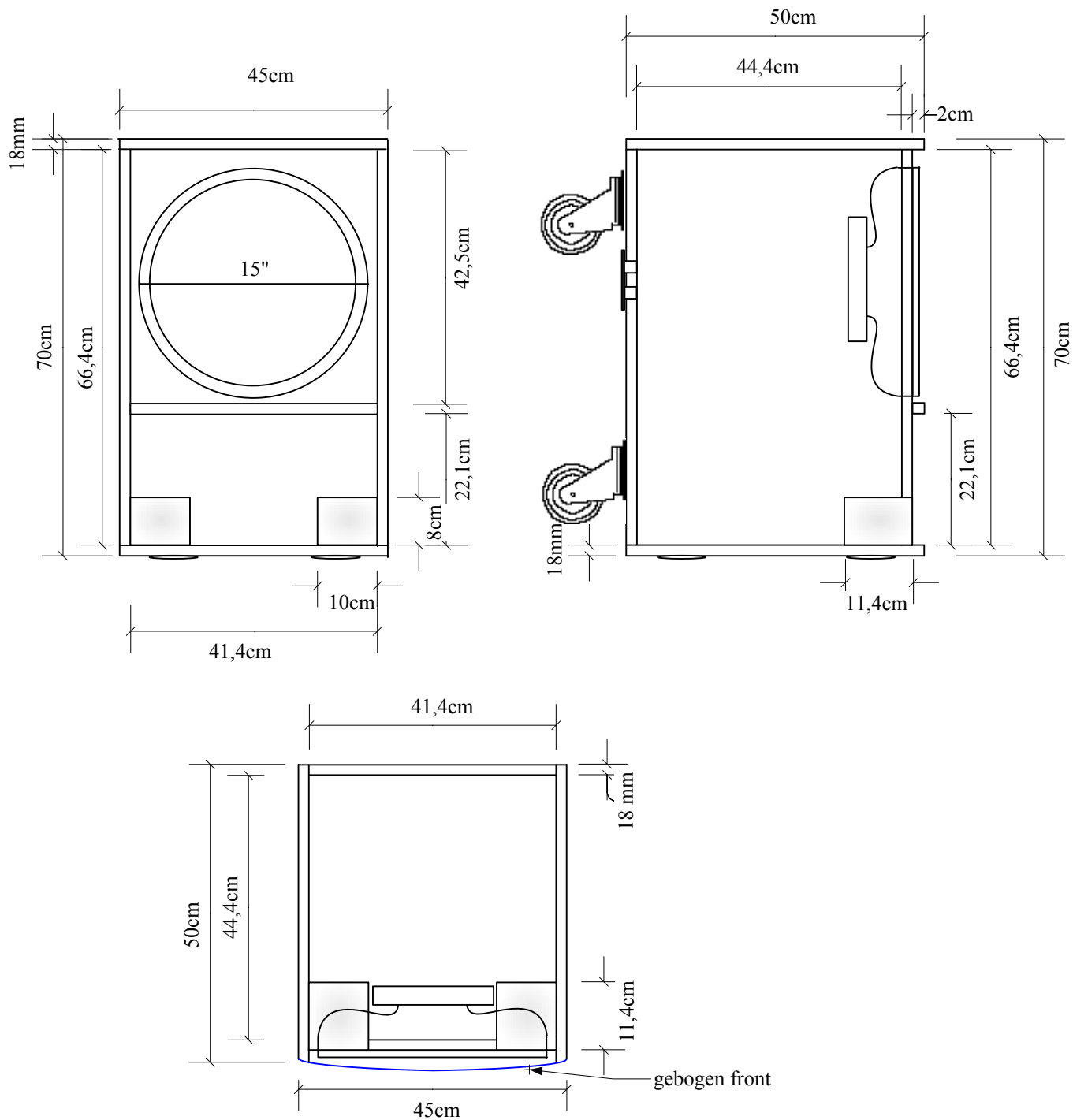
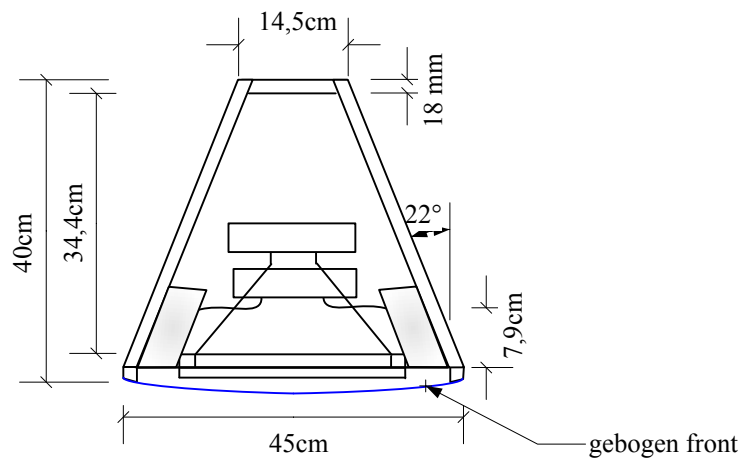
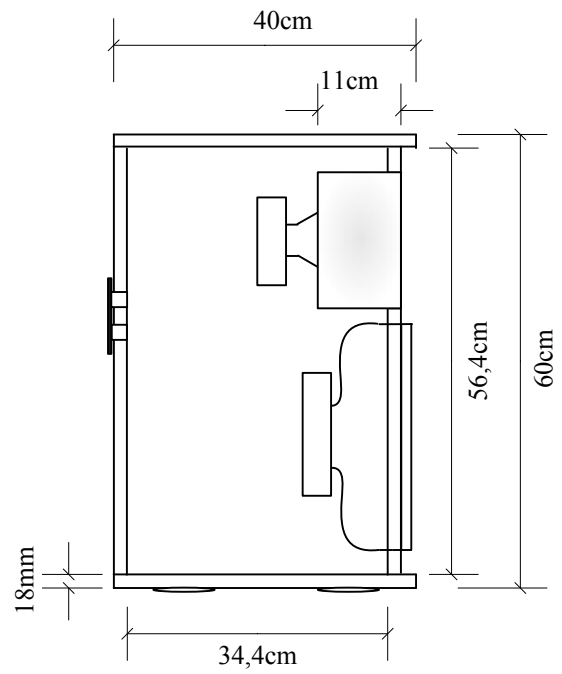
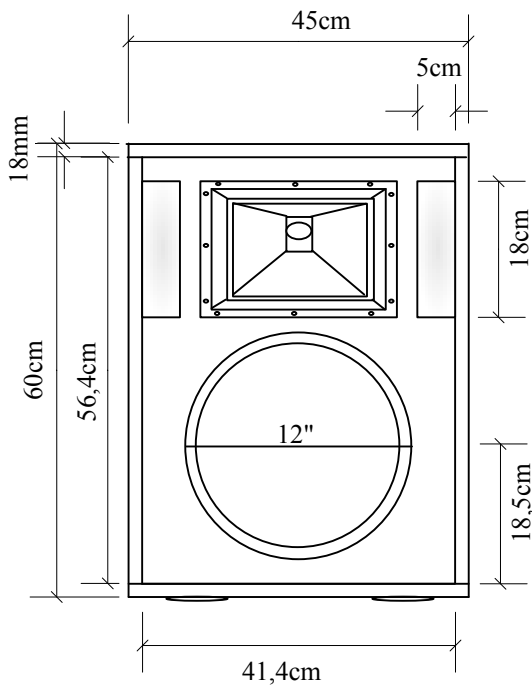


Model	Enclosure Design	Frequency Response	Efficiency	Power / imp.
QL15sub kast	Band Pass	49~ 135Hz -3dB	97dB 1W/1M	800W AES/8ohm
Components	Kast: Fins multiplex 18mm			Netto inhoud: 95/21Ltr
	Bass: RCF LF15X400 30Hz-1500Hz/800W/ohm			
	Highpass 30Hz Lowpass 120Hz 120Hz/Q=2/G=+1,5dB			
Ontwerp: van den Hoogen's Servicebedrijf / Boi van den Hoogen / www.boyzpc.nl / 12-08-2005				



Model	Enclosure Design	Frequency Response	Efficiency	Power / imp.
QL15bass kast	Bass vented	45~ 133Hz -3dB	97dB 1W/1M	800W AES/8ohm
Components	Kast: Fins multiplex 18mm			Netto inhoud: 122Ltr
	Bass: RCF LF15X400 30Hz-1500Hz/800W/8ohm			
Higpass 30Hz Lowpass 120Hz 75Hz/Q=2/G=+1dB 120Hz/Q=2/G=+2,5dB				
Ontwerp: van den Hoogen's Servicebedrijf / Boi van den Hoogen / www.boyzpc.nl / 12-08-2005				



Model	Enclosure Design	Frequency Response	Efficiency	Power / imp.
QL12top kast	Top vented	105~ 20KHz -3dB	98dB 1W/1M	500W AES/8ohm
Components	Kast: Fins multiplex 18mm			Netto inhoud: 47,5Ltr
	Bass: RCF MB12G301 50Hz-3000Hz/400W/8ohm			
	Driver: RCF ND550 1,2KHz-20KHz/50W/8ohm / P-Audio PH-240 Hoorn 90*55			
	Highpass 120Hz 120Hz/Q=2/G=+2dB 1200Hz/Q=2/G=+2,5dB passief 1,5KHz/12dB/okt			
Ontwerp: van den Hoogen's Servicebedrijf / Boi van den Hoogen / www.boyzpc.nl / 12-08-2005				