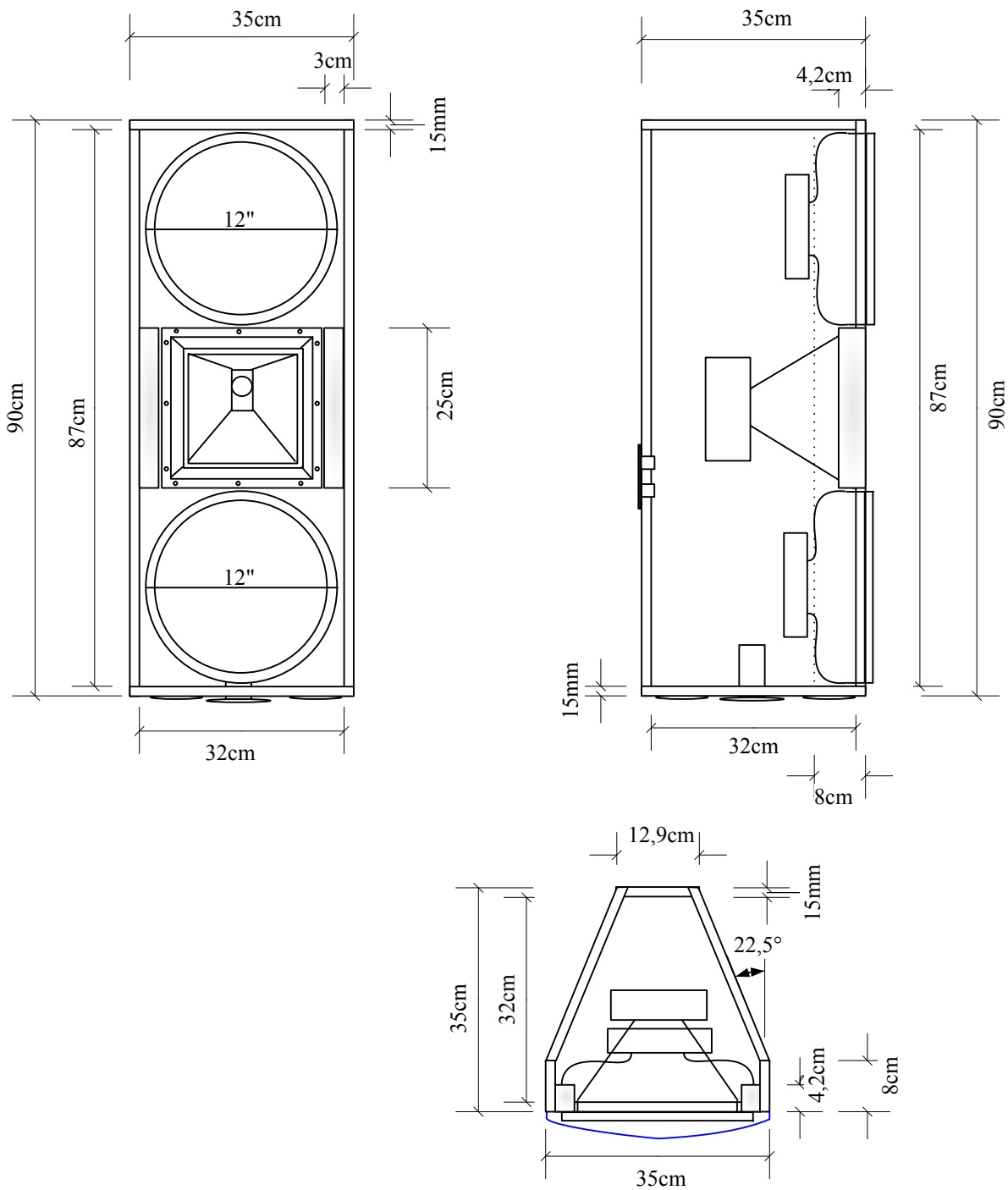


Model	Enclosure Design	Frequency Response	Efficiency	Power / imp.
QL12top kast	Top vented	76~ 20KHz -3dB	98,5dB 1W/1M	400W AES/8ohm
Components	Kast: Fins multiplex 18mm			90W AES/8ohm
	Bass: RCF MB12G301 50Hz-3000Hz/400W/8ohm			Netto inhoud: 49Ltr
	Driver: RCF ND650 0,7KHz-20KHz/90W/8ohm / HF94 Hoorn 90*40			
Highpass 70Hz Lowpass 1200Hz 4de order 140Hz/Q=1/G=+1,5dB 450Hz/Q=1/G=-0,5dB 1200Hz/Q=2/G=+4dB				
Ontwerp: van den Hoogen's Servicebedrijf / Boi van den Hoogen / www.boyzpc.nl / 15-01-2010				



Model	Enclosure Design	Frequency Response	Efficiency	Power / imp.
QL212top kast	Top vented	79~ 20KHz -3dB	101,5dB 1W/1M	800W AES/4ohm-MBass
Components	Kast: Fins multiplex 18mm			90W AES/8ohm-High
	Bass: RCF MB12G301 50Hz-3000Hz/400W/8ohm			Netto inhoud: 68,5Ltr
	Driver: RCF ND650 0,7KHz-20KHz/90W/8ohm / HF64 Hoorn 60*40			
Highpass 70Hz Lowpass 1200Hz 4de order 180Hz/Q=1/G=+1dB 1200Hz/Q=2/G=+2dB				
Ontwerp: van den Hoogen's Servicebedrijf / Boi van den Hoogen / www.boyzpc.nl / 12-08-2005				