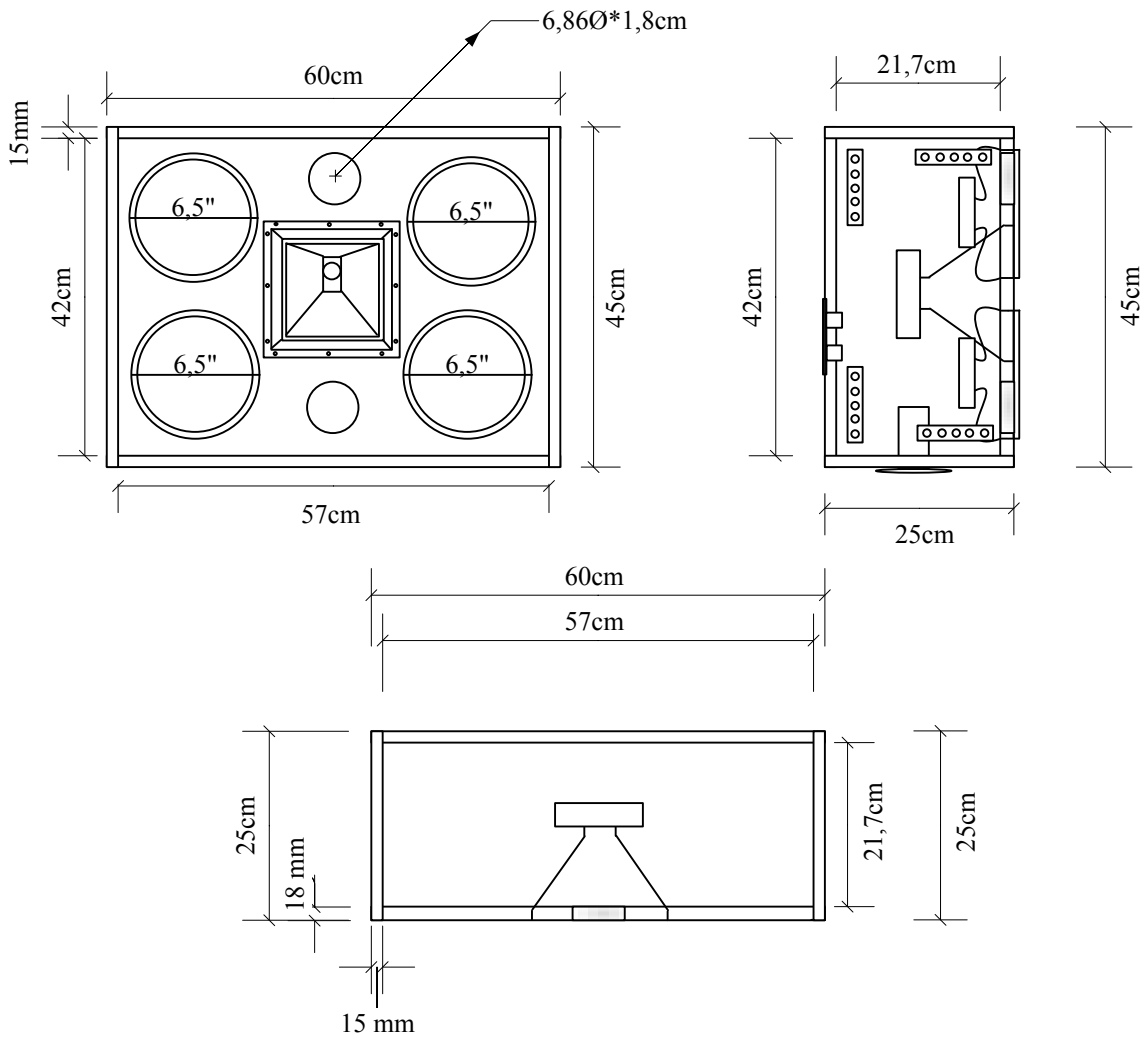


Model	Enclosure Design	Frequency Response	Efficiency	Power / imp.
SW 215D	Bass reflex	38~ 256Hz -3dB	98dB 1W / 1M	1600W RMS / 4ohm
Components	Kast: Berken multiplex 18mm			Netto inhoud 250Ltr
	Subwoofer: RCF L15P200AK 800W/8ohm/38~1000Hz			
	Highpass 30Hz Lowpass 250Hz 40Hz/Q=2/G=+1dB 70Hz/Q=1/G=+0,5dB			
Ontwerp: van den Hoogen's Servicebedrijf / Boi van den Hoogen / www.boyzpc.nl / 06-09-2004				



Model	Enclosure Design	Frequency Response	Efficiency	Power / imp.
SW 215D	Bass reflex	400~ 20KHz -3dB	99dB 1W / 1M	400W RMS / 8ohm
Components	Kast: Berken multiplex 15mm			Netto inhoud 52Ltr
	Mid: SL SP6-150PA 200W/8ohm/70~6000Hz			
	Driverhoorn: RCF ND1411H 25W/8ohm/1,5~20KHz / 90*70			
Highpass 30Hz Lowpass 300Hz 40Hz/Q=2/G=+1dB 70Hz/Q=1/G=+0,5dB passief 2500Hz/12dB/8ohm				
Ontwerp: van den Hoogen's Servicebedrijf / Boi van den Hoogen / www.boyzpc.nl / 06-09-2004				