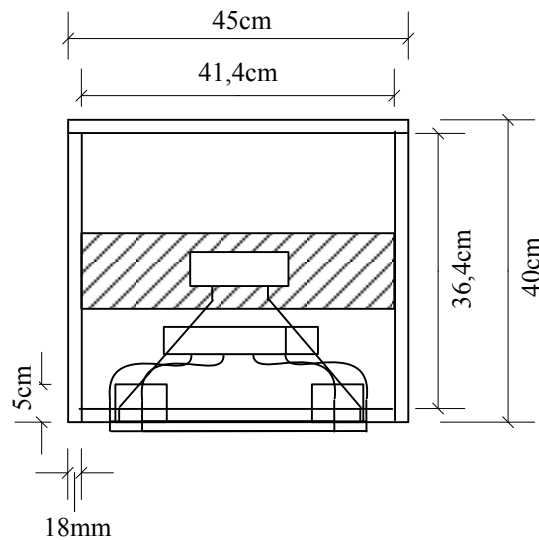
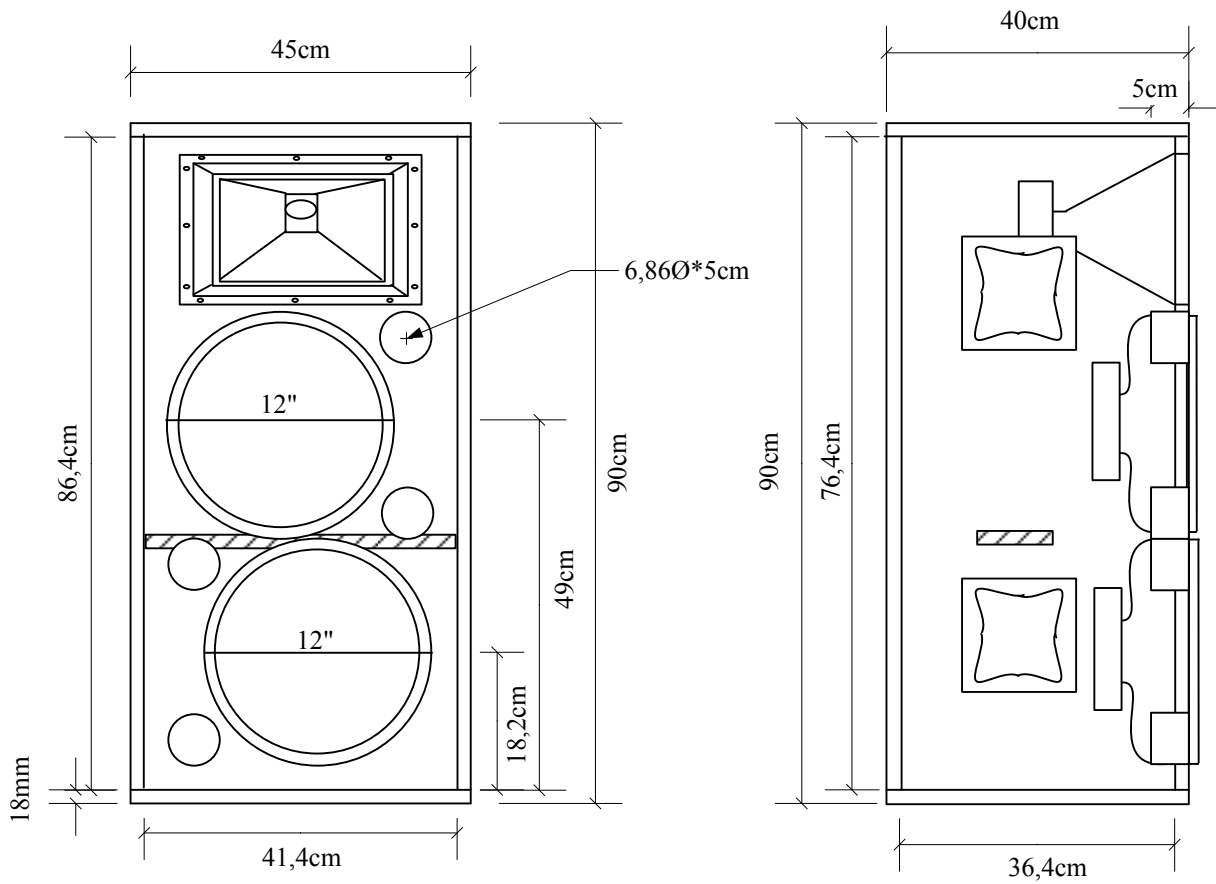


Model	Enclosure Design	Frequency Response	Efficiency	Power / imp.
SW-215	Bass reflex	42~ 122Hz -3dB	98dB 1W / 1M	1000W RMS / 4ohm
Components	Kast: Berken multiplex 18mm			Netto inhoud 200Ltr
	Bass: SL SP38A-500BS 500W/99dB 38-1200Hz			
	Highpass 30Hz Lowpass 120Hz 4de/8ste order 45Hz/Q=3/G=+2dB			
Ontwerp: van den Hoogen's Servicebedrijf / Boi van den Hoogen / www.boyzpc.nl / 17-11-2003				



Model	Enclosure Design	Frequency Response	Efficiency	Power / imp.
T2121	Fullrange vented	118~ 20KHz -3dB	99,5dB 1W/1M	750W RMS / 4ohm
Components	Kast: Berken multiplex 18mm			Netto inhoud 130Ltr
	Bass/Mid: SL SP-12A-302PA 50Hz-3000Hz/300W/8ohm			
	Driver: SL MRD-180/ MRH-200 100*60hoorn 80w/8ohm/1,6-20Khz			
	Highpass 120Hz 8ste order – passief 2KHz 12dB/okt 4/ 8ohm			
Ontwerp: van den Hoogen's Servicebedrijf / Boi van den Hoogen / www.boyzpc.nl / 17-11-2003				