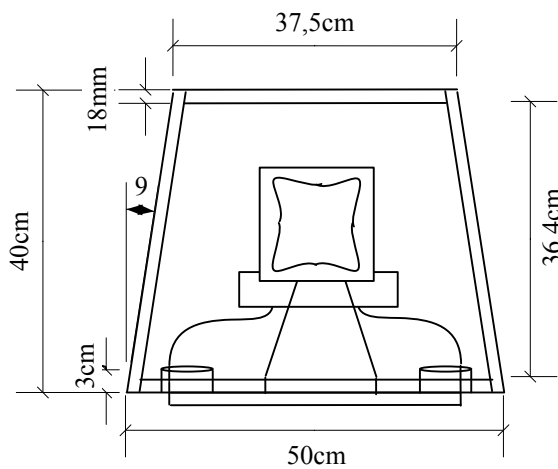
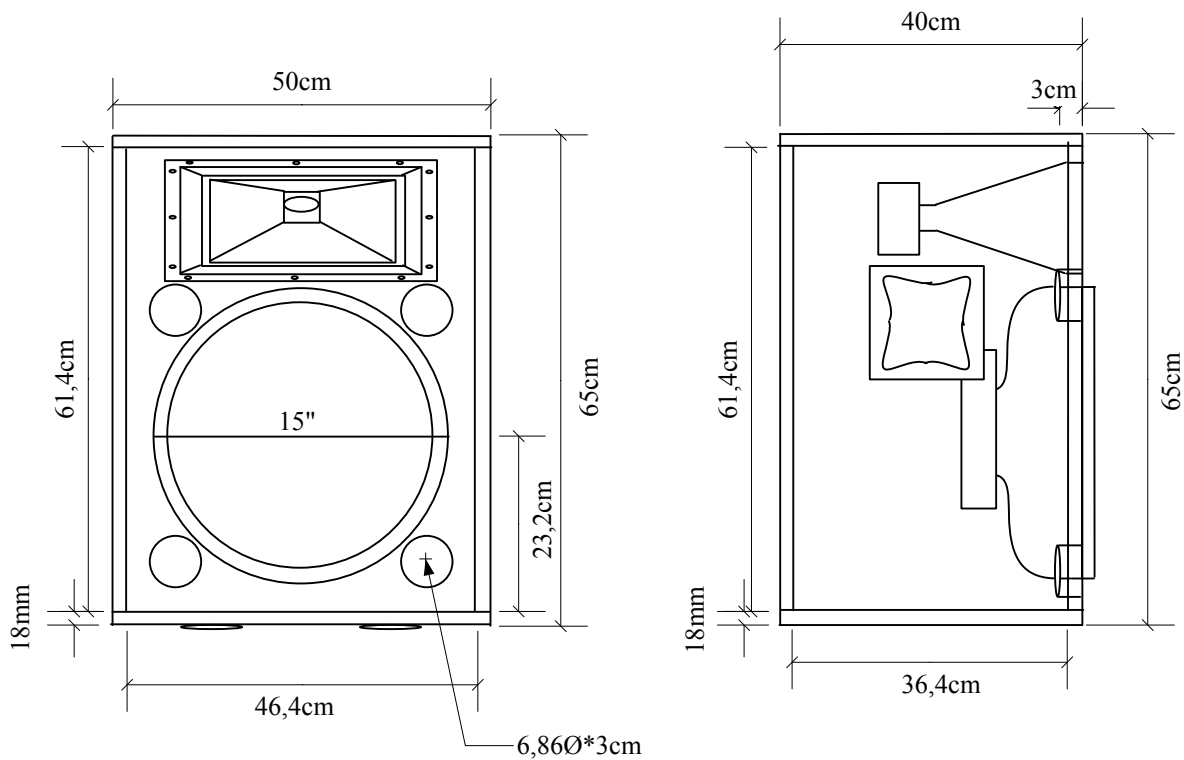


Model	Enclosure Design	Frequency Response	Efficiency	Power / imp.
SW-215	Bass reflex	41~ 104Hz -3dB	98,5dB 1W / 1M	1000W RMS / 4ohm
Components	Kast: Berken multiplex 18mm			Netto inhoud 207,5Ltr
	Bass: SL SP38A-500BS 38Hz-800Hz/500W/8ohm			
	Highpass 30Hz Lowpass 100Hz 4de/8ste order 45Hz/Q=3/G=+4dB 100Hz/Q=3/G=+1dB			
Ontwerp: van den Hoogen's Servicebedrijf / Boi van den Hoogen / www.boyzpc.nl / 05-11-2003				



Model	Enclosure Design	Frequency Response	Efficiency	Power / imp.
T151	Fullrange vented	98~ 20KHz -3dB	102,5dB 1W/1M	400W RMS / 8ohm
Components	Kast: Berken multiplex 18mm			Netto inhoud 87Ltr
	Bass: SL SP-38-300PA 50Hz-2500Hz/300W/8ohm			
	Driver: P-audio SD-450N 50w/8ohm/500-20Khz - SL MRH140 90*40hoorn			
Highpass 100Hz 8ste order 350Hz/Q=1/G=-0,5dB passief filter 1200Hz/12dB/18dB/okt 500w/8ohm				
Ontwerp: van den Hoogen's Servicebedrijf / Boi van den Hoogen / www.boyzpc.nl / 05-11-2003				