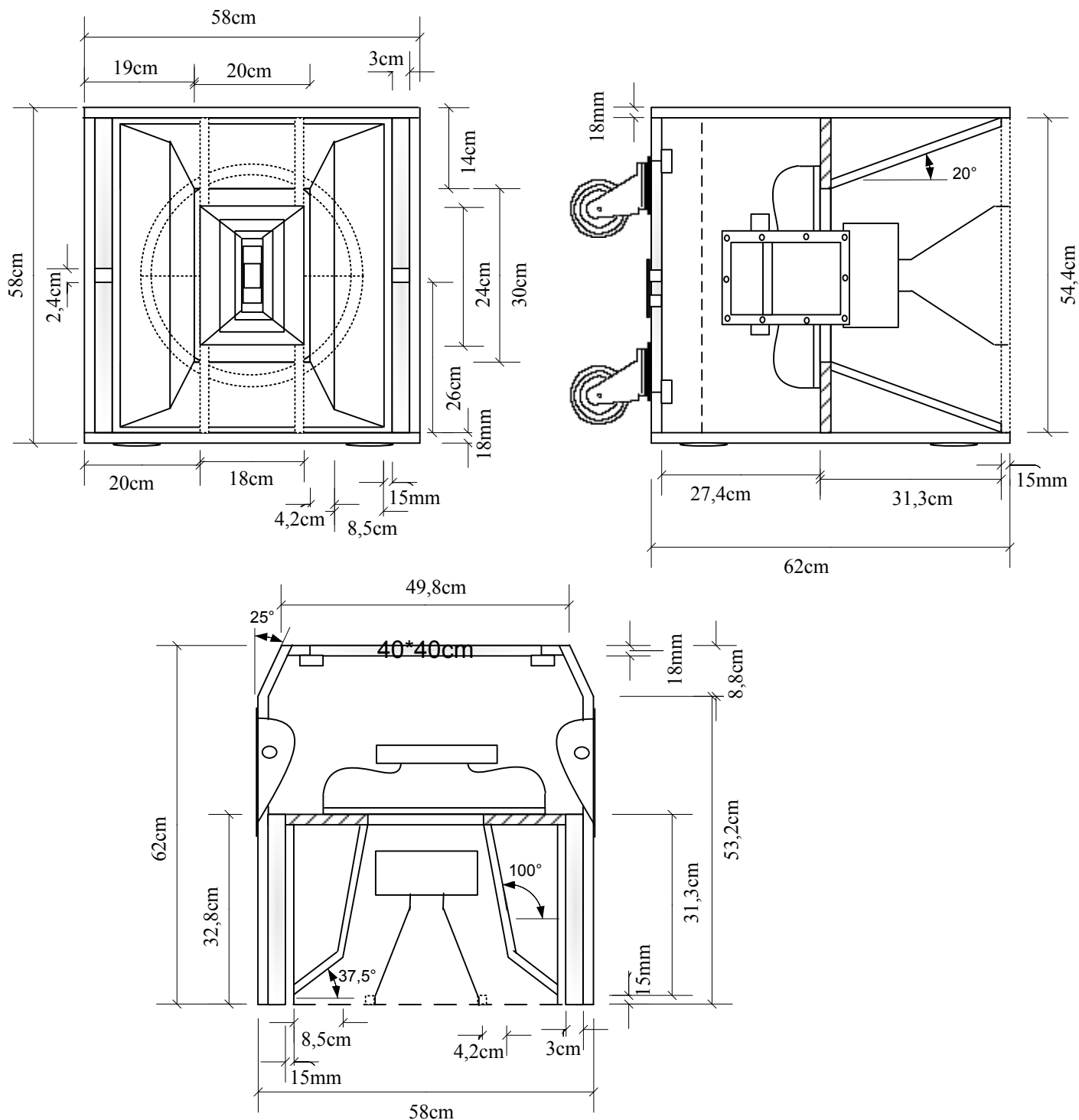


Model	Enclosure Design	Frequency Response	Efficiency	Power / imp.
C7 subkast	Sub vented	38~ 150Hz -3dB	97,5dB 1W/1M	500W AES/8ohm
Components	Kast: Fins multiplex 18mm			Netto inhoud: 210Ltr
	SL SP-46A-500PA 40Hz-1500Hz/500W			
EQ: laagaf 30Hz, hoogaf 140Hz/4de order 40Hz/Q=2/G= -0,5dB, 65Hz/Q=1/G=+2dB, 140Hz/Q=2/G=+1dB				
Ontwerp: van den Hoogen's Servicebedrijf / Boi van den Hoogen / www.boyzpc.nl / 02-05-2006				



Model	Enclosure Design	Frequency Response	Efficiency	Power / imp.
C7 topkast	Coaxiaal vented	60Hz(-3dB) - 20KHz	99,5dB 1W/1M	400W AES/8ohm
Components	Kast: Fins multiplex 18mm			Netto inhoud: 80Ltr
	BassMid: SL SP-15-300PA 45Hz-4500Hz/300W		Passief filter 1200Hz/12dB/okt 80hm	
	Driver: P-audio BM750 2" 800Hz-20KHz 100W, Hoorn Limmer 271 75*40			
EQ: laagaf 140Hz/4de order, 140Hz/Q=3/G=+2dB 250Hz/Q=1/G=-0,5dB 900Hz/Q=1/G=+1,5dB				
Ontwerp: van den Hoogen's Servicebedrijf / Boi van den Hoogen / www.boyzpc.nl / 06-05-2006				