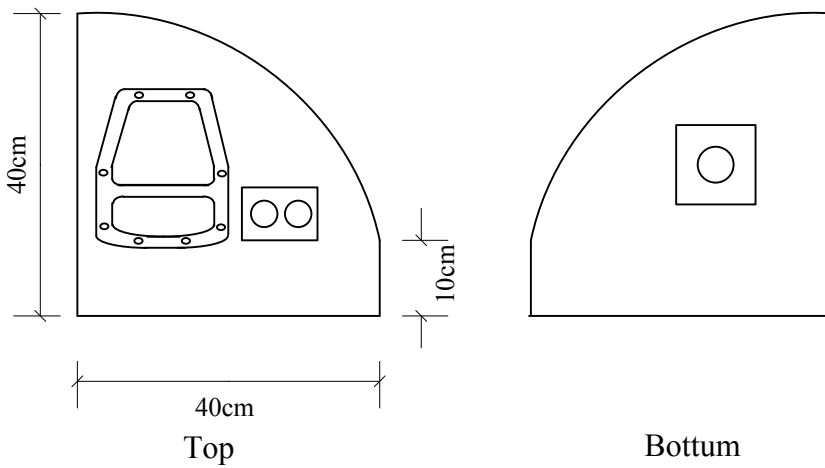


Basspoort 10*5*4cm
Klankboard 18mm



Model	Enclosure Design	Frequency Response	Efficiency	Power / imp.
SM12	Fullrange vented	65~ 20KHz -3dB	97dB 1W/1M	500W RMS 8ohm
Components	Kast: Berken multiplex 15mm			Netto inhoud: 44Ltr
	SL SP12-302PA 55Hz-5000Hz/300W/8ohm			
	P-audio SD-450N driver 50w/8ohm/800-20Khz + P-audio PH240 hoorn 90*55			
	passief filter 1,2kHz/12dB/okt - Lowcut 50Hz/4de order			
Ontwerp: van den Hoogen's Servicebedrijf / Boi van den Hoogen / www.boyzpc.nl / 05-09-2007				