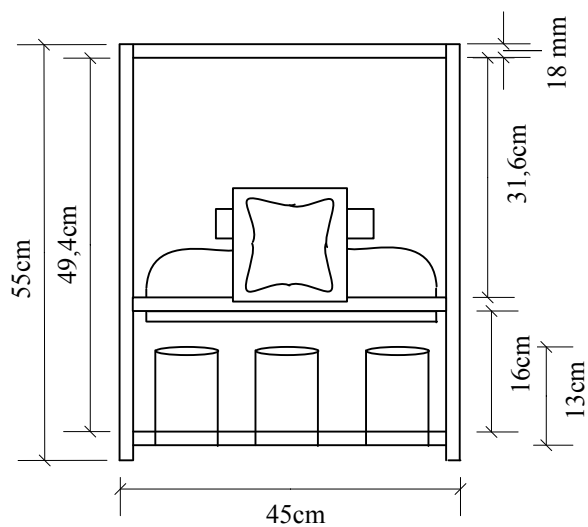
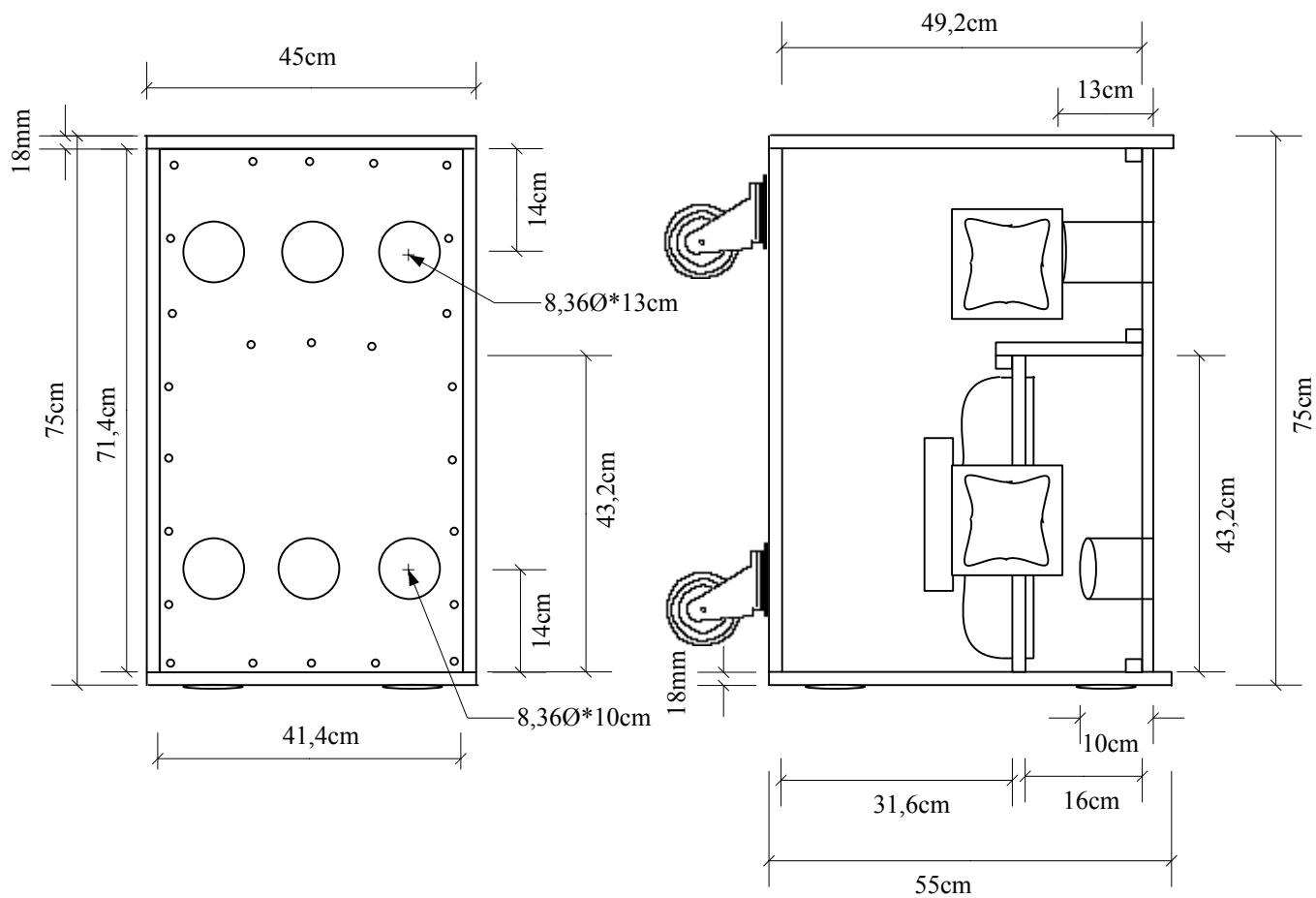
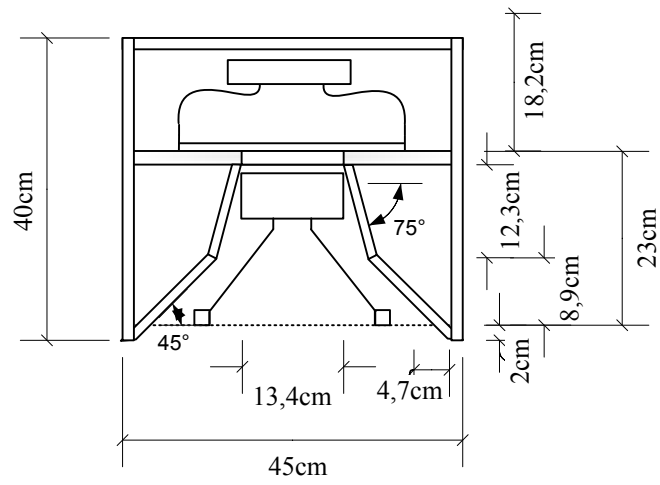
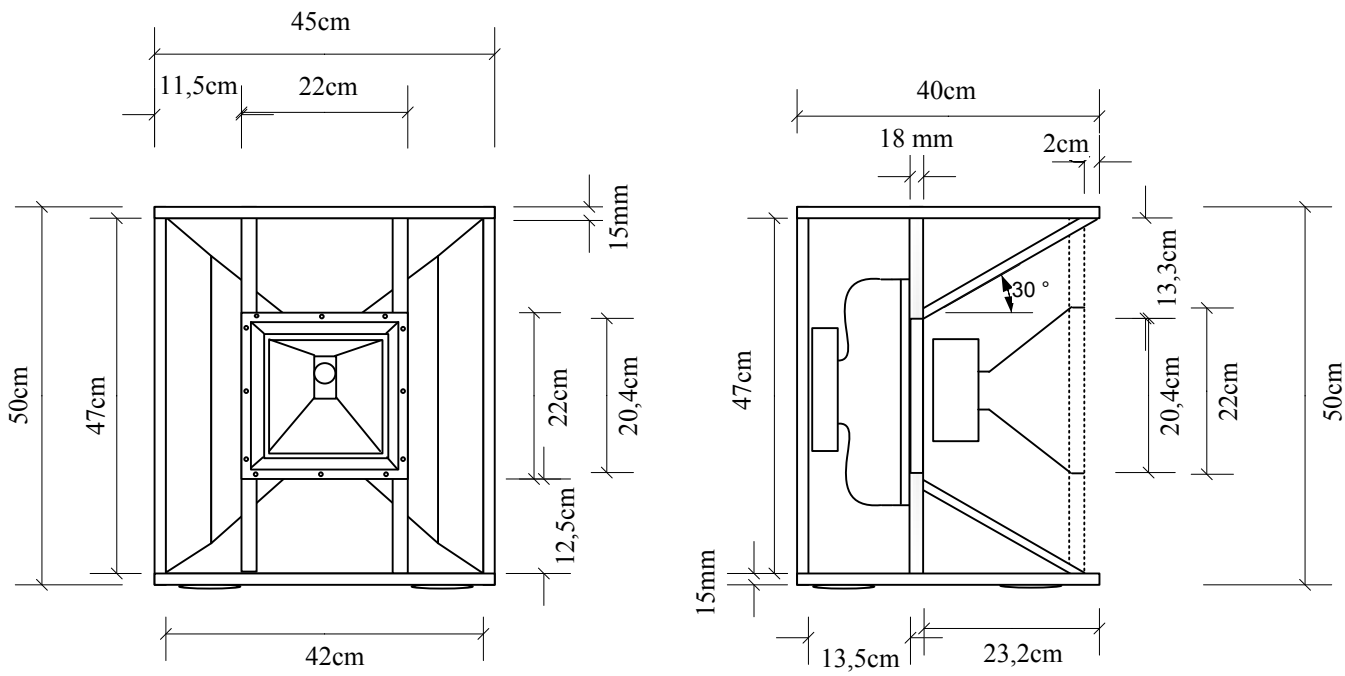


Model	Enclosure Design	Frequency Response	Efficiency	Power / imp.
SSS BR1	Sub vented	40~ 153Hz -3dB	97,5dB 1W/1M	300W AES/8ohm
Components	Kast: Berken multiplex 18mm			Netto inhoud: 140Ltr
	SL SP-38A-300PA 38Hz-3000Hz/300W/8ohm			
Highpass 30Hz Lowpass 140Hz 4de order 70Hz/Q=1/G=+4dB 140Hz/Q=2G=+1,5dB				
Ontwerp: van den Hoogen's Servicebedrijf / Boi van den Hoogen / www.boyzpc.nl / 06-08-2006				



Model	Enclosure Design	Frequency Response	Efficiency	Power / imp.
SSS BP1	Band pass	48~ 133Hz -3dB	97,5dB 1W/1M	300W AES/8ohm
Components	Kast: Fins multiplex 18mm			Netto inhoud: 110/28,5Ltr
	SL SP-38A-300PA 38Hz-3000Hz/300W/8ohm			
Highpass 30Hz Lowpass 180Hz 4de order 75Hz/Q=2/G=+1dB				
Ontwerp: van den Hoogen's Servicebedrijf / Boi van den Hoogen / www.boyzpc.nl / 06-08-2006				



Model	Enclosure Design	Frequency Response	Efficiency	Power / imp.
SSS Ctop	Coaxiale top	135~ 20KHz -3dB	98dB 1W/1M	400W / 8ohm
Components	Kast: Fins multiplex 18mm			Netto inhoud: 26,5Ltr
	Bass/mid: SL SP12A-300neo 60Hz-3,5KHz/300W/8ohm			
	High: SL MRD180 1,6KHz-20KHz/80W/8ohm / Hoorn RCF HF100 90*70			
Highpass 140Hz 4de order 140Hz/Q=2/G=+5dB passief filter 2KHz 12dB/okt				
Ontwerp: van den Hoogen's Servicebedrijf / Boi van den Hoogen / www.boyzpc.nl / 06-08-2006				