



**Eighteen Sound  
an AEB S.r.l. Company**

**Via dell'Industria 20  
45025 Cavriago  
Italy**

---

## Application Note #8:

# **Building an effective, high power, manifolded, Double 18", Band-Pass subwoofer.**

Eighteen Sound Technical Department  
July, 2009



## Manifolded, Double 18" Band-Pass Subwoofer kit

---

- High performance 2 x 18" subwoofer system
- Equipped with 18NLW9600, for lightweight box and extremely high power handling

• **18NLW9600** woofer key features:

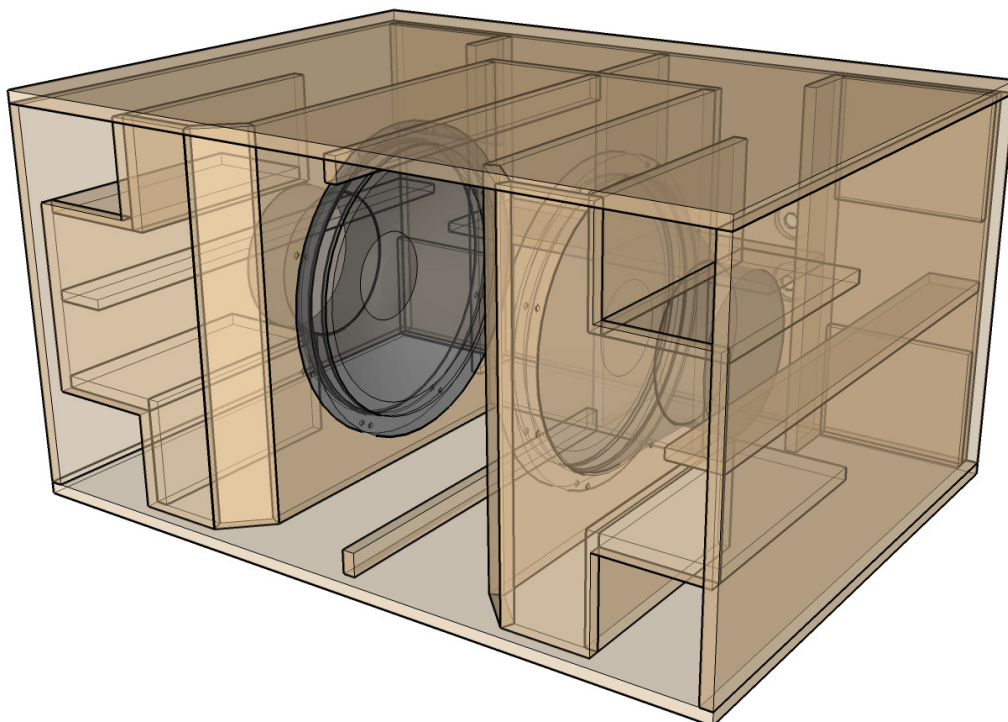
Neodymium magnet

5.3" Interleaved Sandwich Voice coil (ISV)

Triple Silicon Spider (TSS)

Double Demodulating Rings (DDR)

1800W AES power handling





# Manifolded, Double 18" Band-Pass Subwoofer kit

## 18NLW9600



### GENERAL SPECIFICATIONS

NOMINAL DIAMETER	462mm (18 in)
RATED IMPEDANCE	8 ohms
AES POWER	1800W
PROGRAM POWER (1)	3600W
PEAK POWER (2)	10000W
SENSITIVITY (3)	96,5 dB
FREQUENCY RANGE (4)	32 - 2500 Hz
POWER COMPRESSION @ -10 DB (5)	0.7 dB
POWER COMPRESSION @ -3 DB	1.3 dB
POWER COMPRESSION @ 0 DB	2.2 dB
MAX RECOMM. FREQUENCY	300 Hz
RECOMM. ENCLOSURE VOLUME	110 ÷ 350 lt. (3,88 ÷ 12,36 cuft)
MINIMUM IMPEDANCE	6,6 ohms at 25°C
MAX PEAK TO PEAK EXCURSION	70 mm (2,75 in)
VOICE COIL DIAMETER	135 mm (5,32 in)
VOICE COIL WINDING MATERIAL	aluminum
SUSPENSION	Triple Roll Polycotton
CONE	Straight Ribbed, Treated Paper

### THIELE SMALL PARAMETERS (6)

Fs	34 Hz
Re	4,7 ohms
Sd	0,1134 sq.mt. (189,9 sq.in.)
Qms	8,7
Qes	0,29
Qts	0,28
Vas	149 lt. (5,1 cuft)
Mms	261 gr. (0,58 lb)
BL	30 Tm
Linear Mathematical Xmax (7)	±14 mm (±0,55 in)
Le (1kHz)	2,11 mH
Ref. Efficiency 1W@1m (half space)	95,1 dB

## Manifolded, Double 18" Band-Pass Subwoofer kit

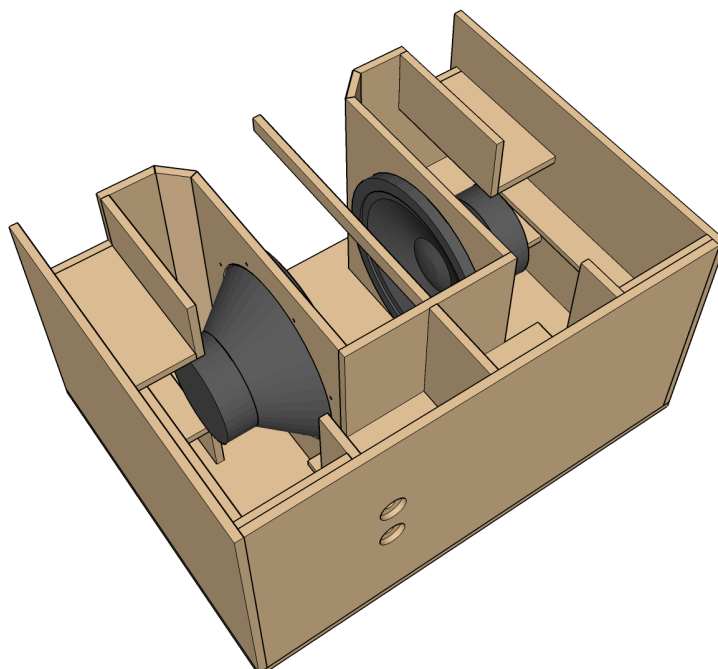
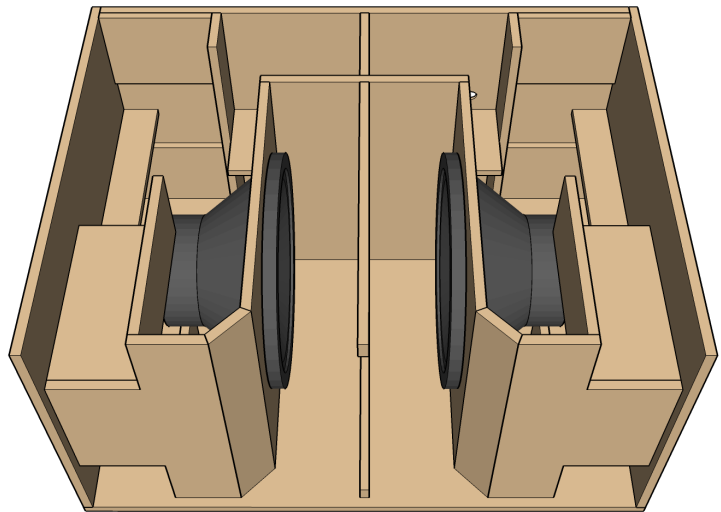
The enclosure should be made of baltic birch plywood (18mm thickness)

- Bolts are M6x35mm
- M6 T-Nuts are recommended
- Handling, rigging and connectors are user's choice

•It's recommended to well damping the cabinet interior

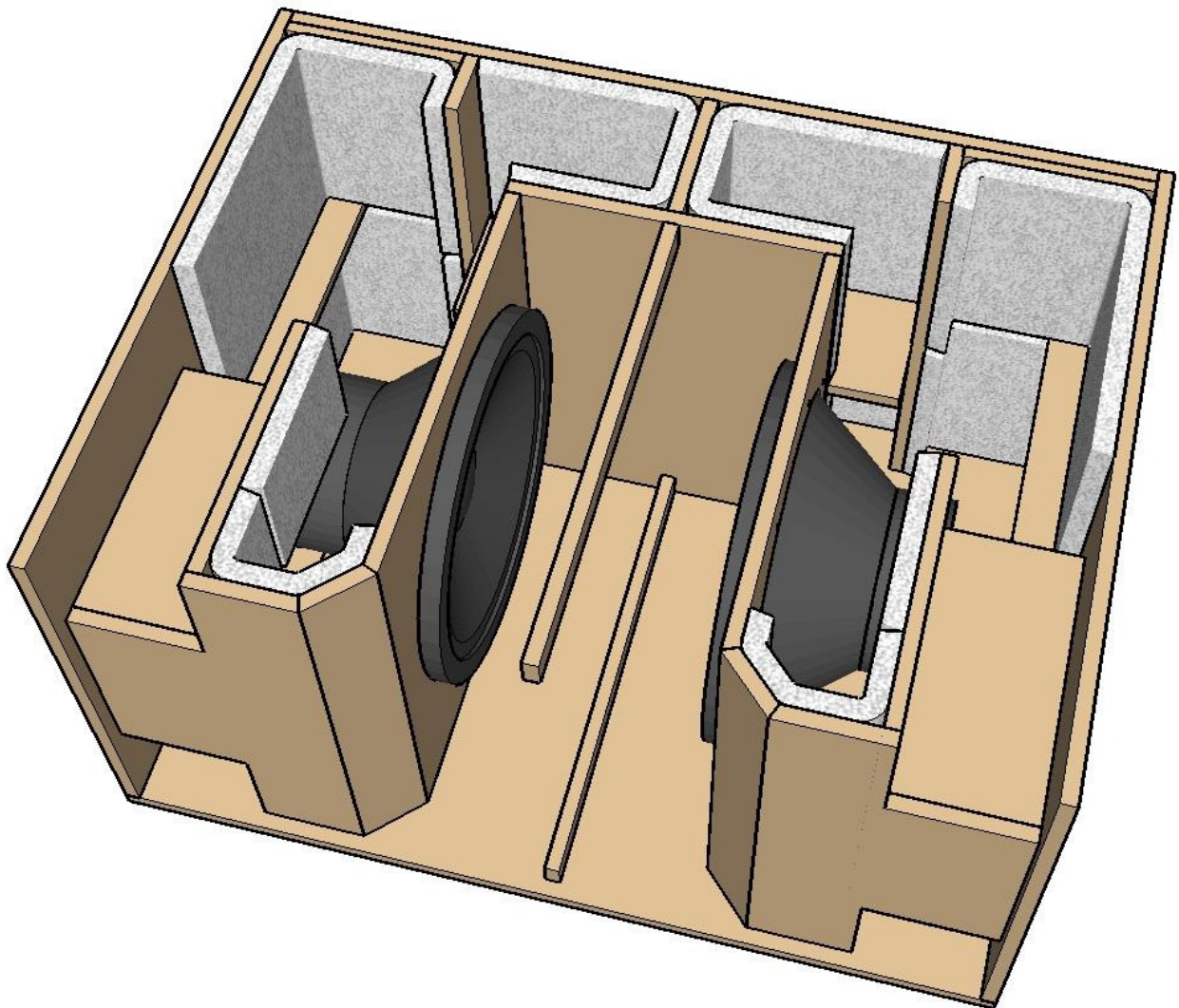
- You should see an example of the required dampening on the image on the next page
- An high density dampening material, such as Dacron or other synthetic fibers, is required for better performance

### Internal view

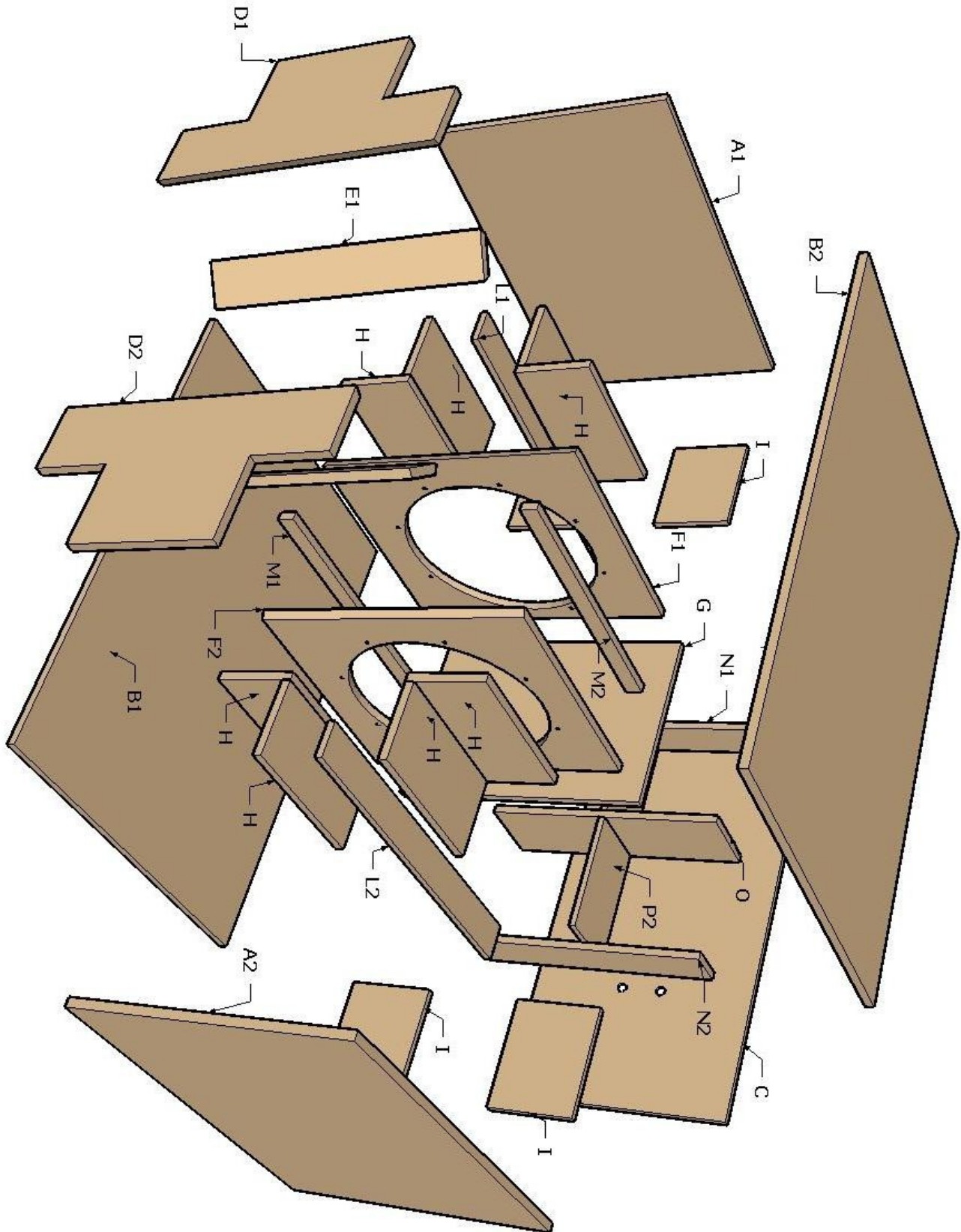


# Manifolded, Double 18" Band-Pass Subwoofer kit

## Internal view and damping



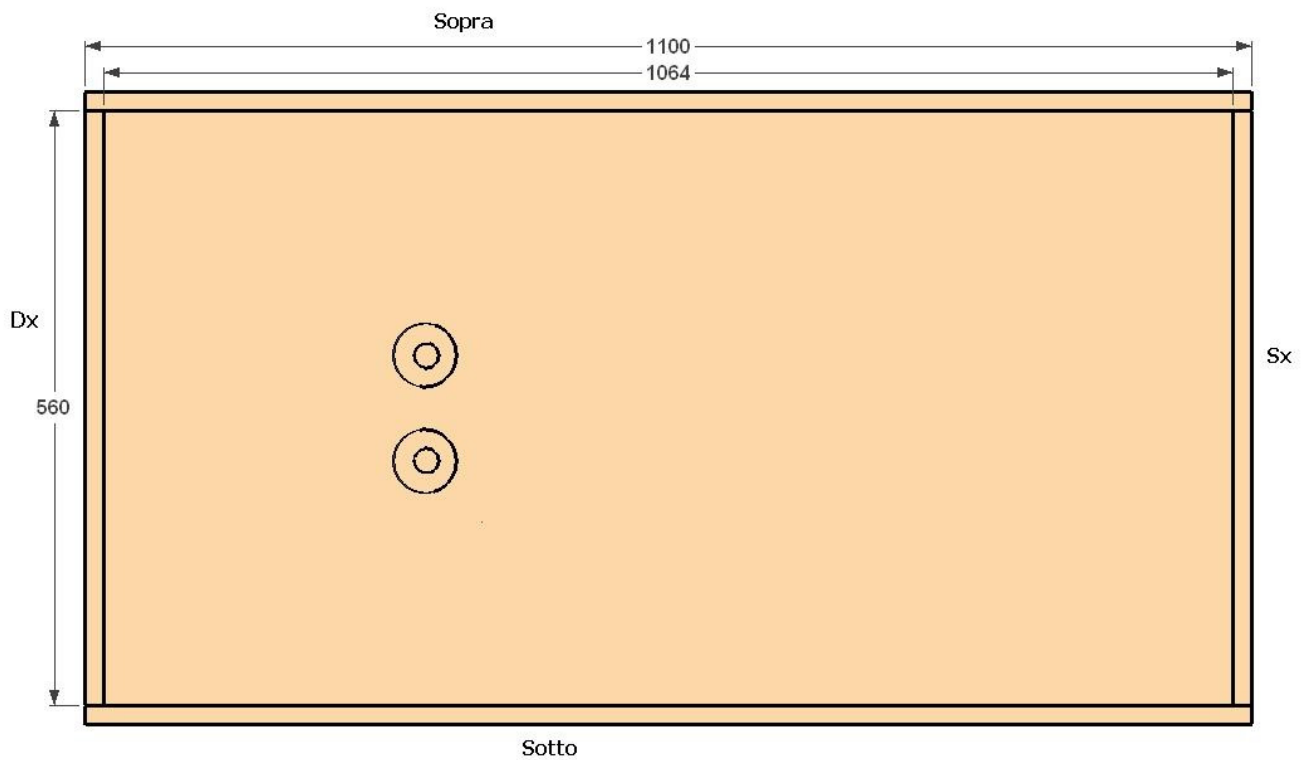
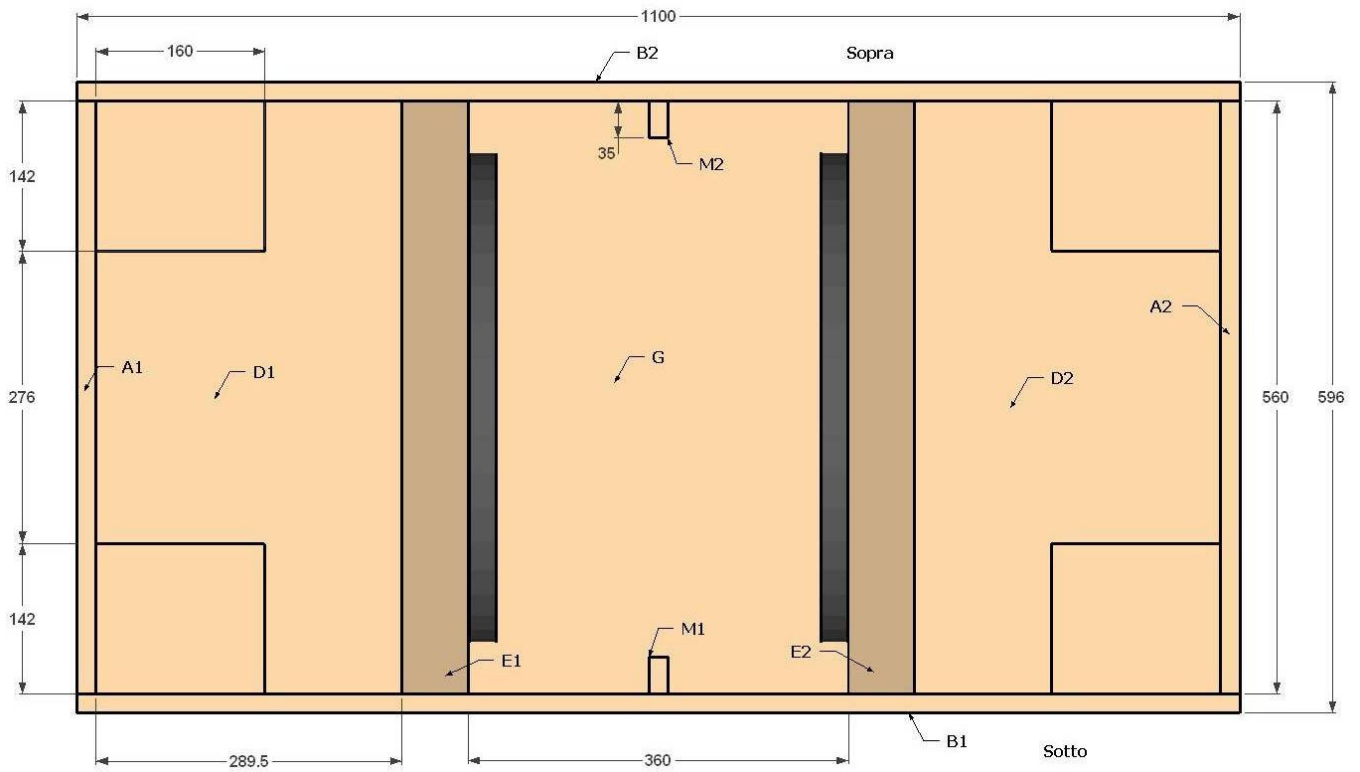
# Manifolded, Double 18" Band-Pass Subwoofer kit



**Exploded view**

# Manifolded, Double 18" Band-Pass Subwoofer kit

## Front-Rear view



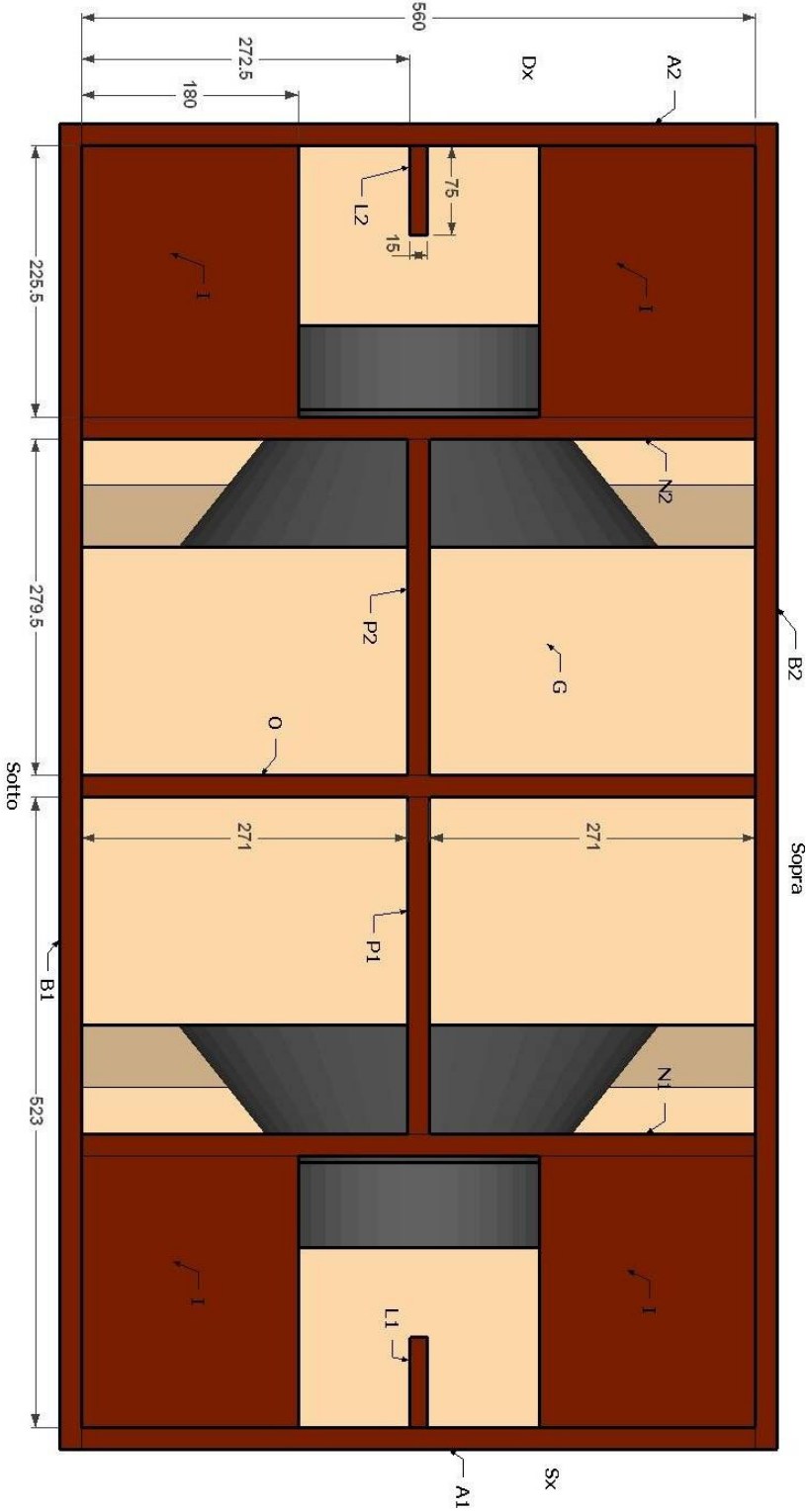






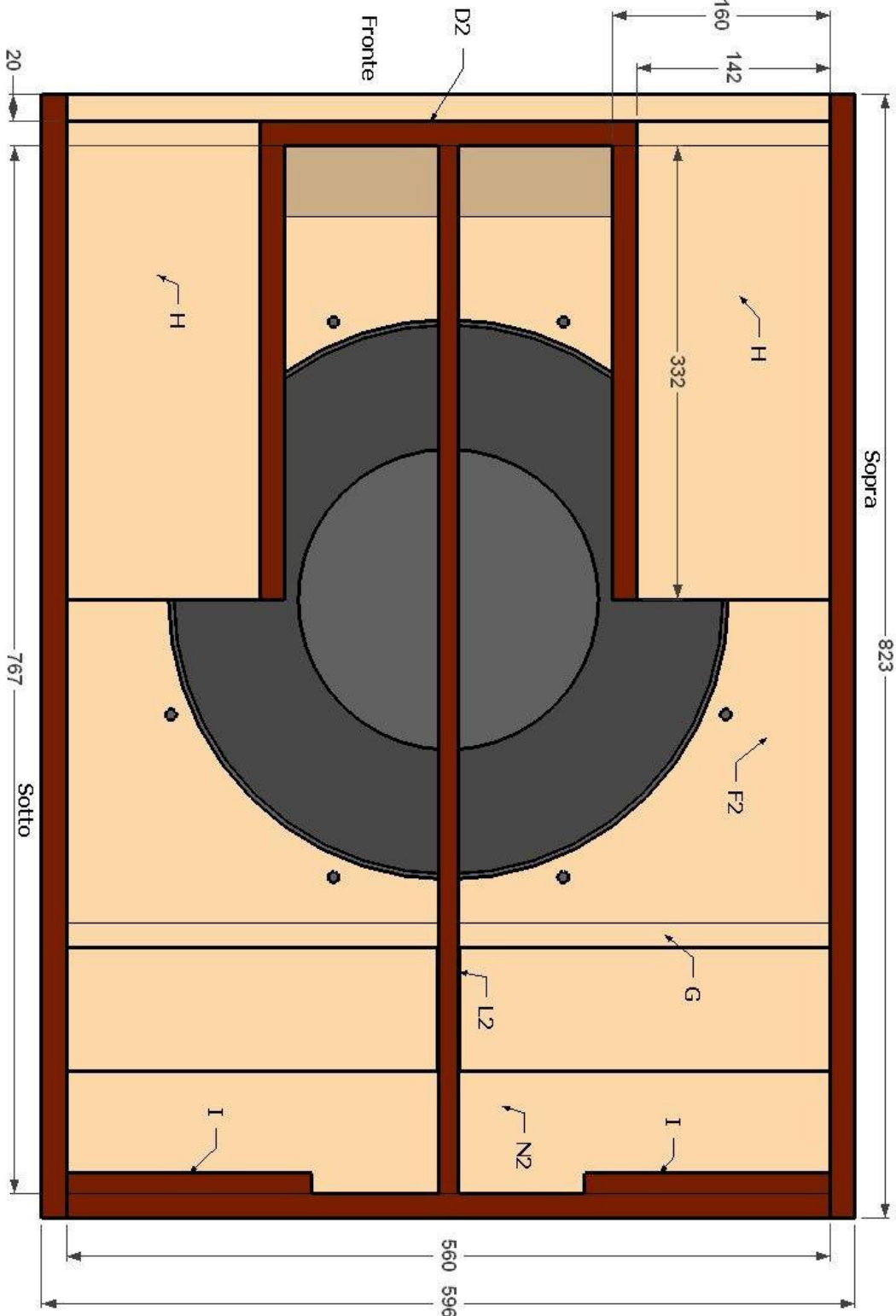
# Manifolded, Double 18" Band-Pass Subwoofer kit

## Rear Section

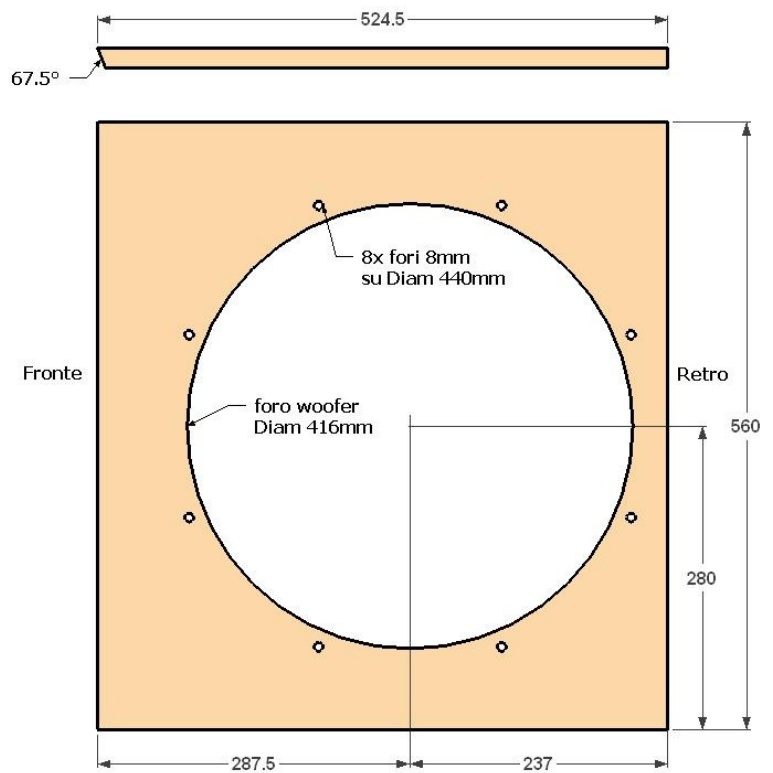
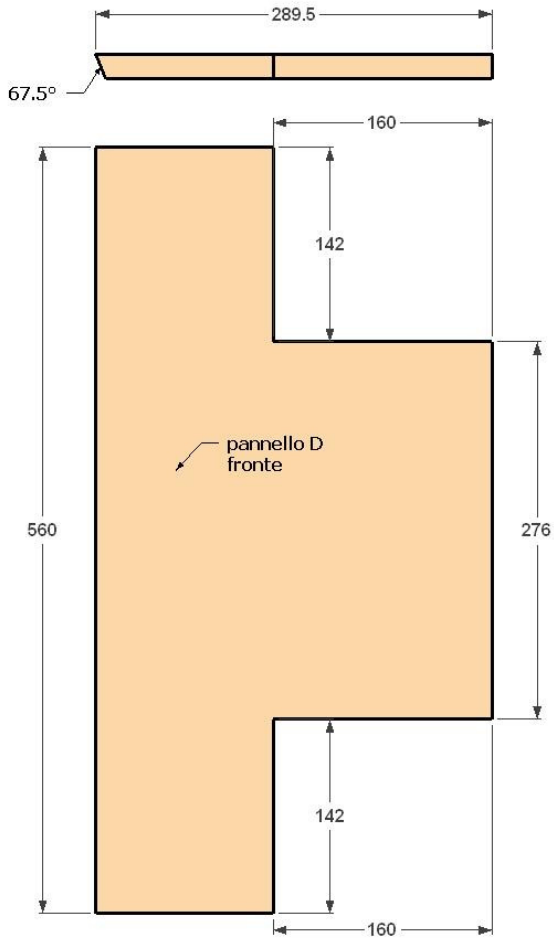


# Manifolded, Double 18" Band-Pass Subwoofer kit

## Side Section



## Details: part D and F





# **Manifolded, Double 18" Band-Pass Subwoofer kit**

---

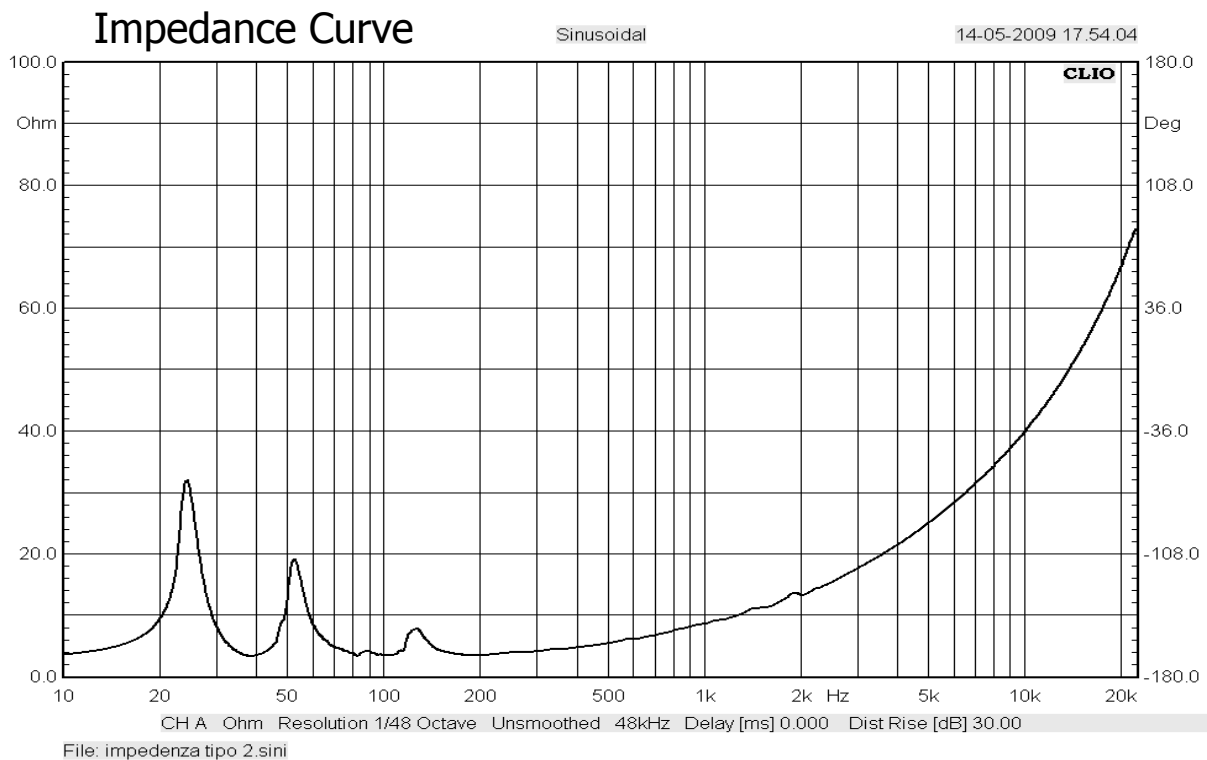
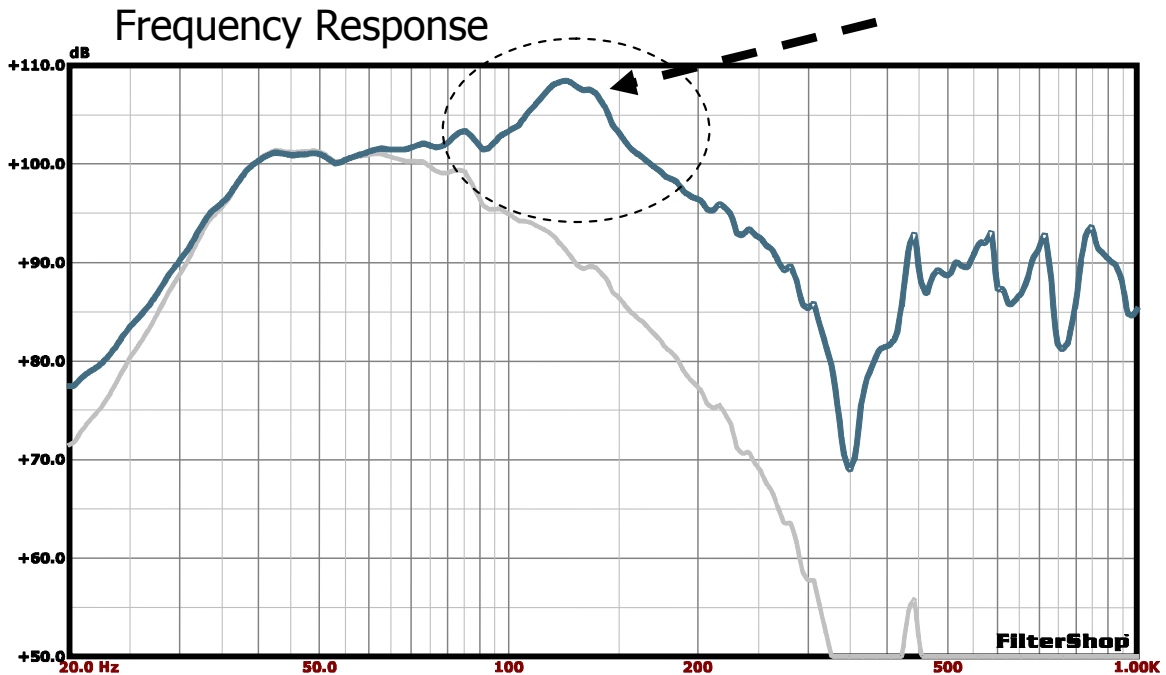
## **Measurements**

---

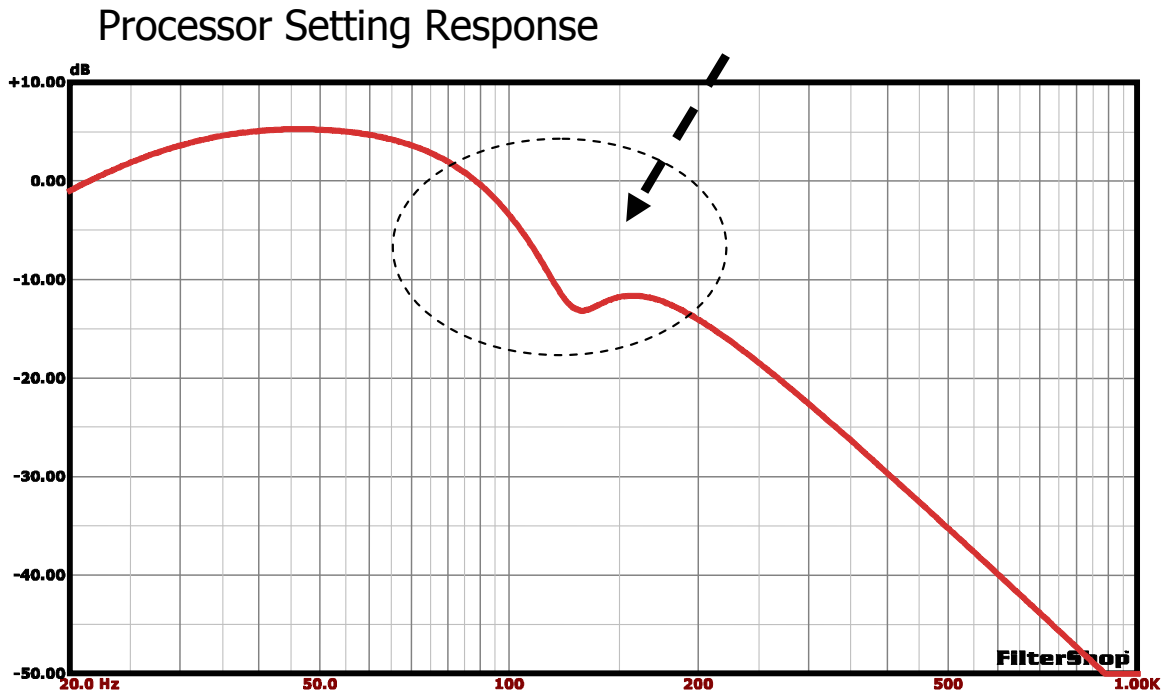


# Manifolded, Double 18" Band-Pass Subwoofer kit

## Unfiltered Frequency Response, 2.83V/1m and relative Input Impedance Curve with 18NLW9600 Loudspeaker



## Processing Guidelines and Processor Response



### Necessary Processor Settings with 18NLW9600 Loudspeaker

High pass: Butterworth **2nd** order, 12dB/Oct @ 30 Hz

Parametric EQ **Eq1:** F= 116 Hz - Gain= -5 dB - Q= 1.5

**Eq2:** F= 127 Hz - Gain= -8 dB - Q= 4.5

Low pass: Butterworth **3th** order, 18dB/Oct @ 100 Hz

Polarity: Positive (+)

Limiter: @ +12dBu, 100ms Atk. Time, X4 Release Time

Output Gain: + 7dB

Processing Parameters Referred to **XTA DP224/DP226/DP448** Processors

Required Amplifier for proper driving, approx.: 2000W @ 8 Ohm, 4000W @ 4 Ohm with Gain 32dB

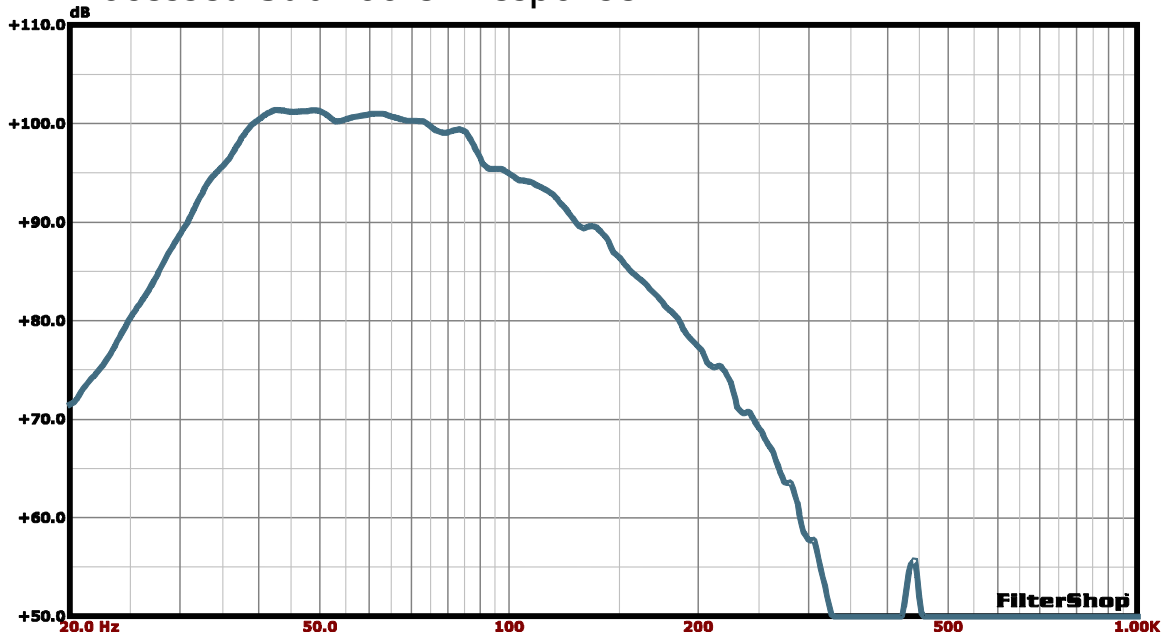
Gain and Limiter Values need to be properly adjusted if different gain amplifier is being used



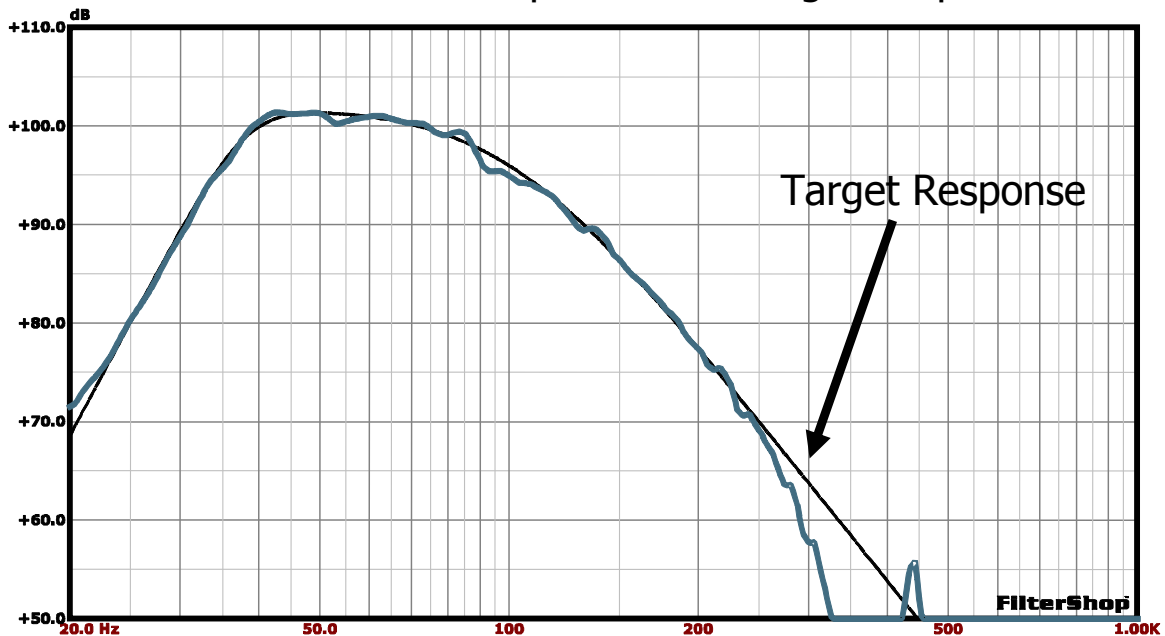
# Manifolded, Double 18" Band-Pass Subwoofer kit

## Processed Frequency Response

### Processed Subwoofer Response



### Processed Subwoofer Response with Target Response Matching



The Reference Target Response is an Acoustical Band-Pass Response of a total 10th order. High Pass=Butterworth 6th Order @ **38Hz**, Low-Pass=Linkwitz-Riley 4th Order @ **100Hz**