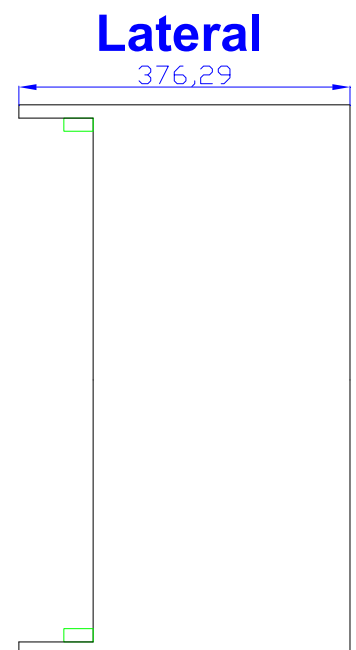
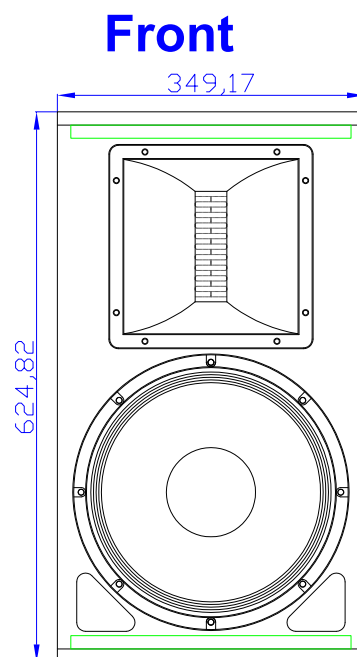
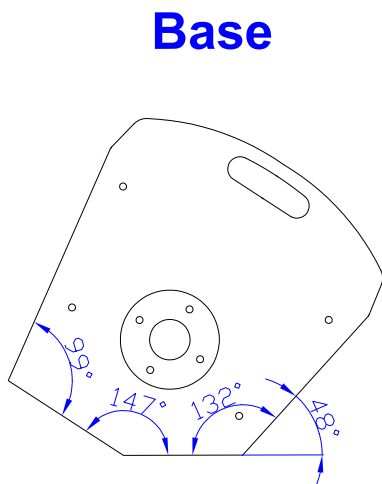
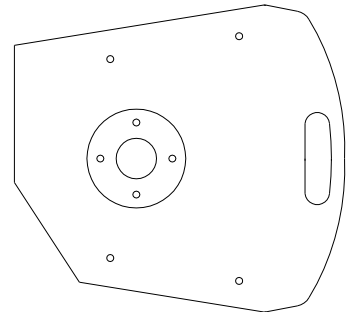
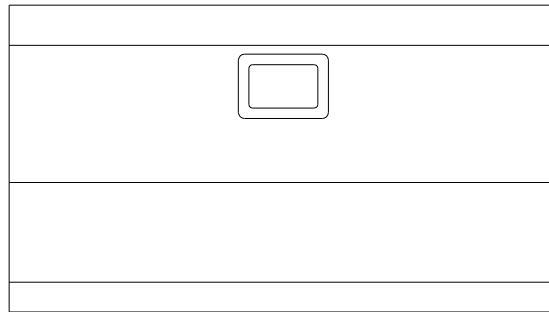
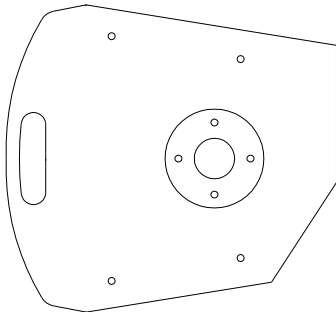


**Technical Specifications**

Acoustic cabinet:	FR12A
Description:	2 Way System. 12" and High Frequency unit
Power AES:	350 W.
Power Program:	700 W.
Sensitivity 2,83v @ 1m:	97 dB.
Max. SPL continuous:	122 dB.
Max. SPL peak:	128 dB.
Frequency response:	43 - 25.000Hz.
Coverage (H x V):	90° x 40°
Bass Loudspeakers:	12MW/ND
Compression Driver:	TPL150
Constant Directivity Horn:	TD TPL
Crossover:	FP12A/1
Hardware:	External

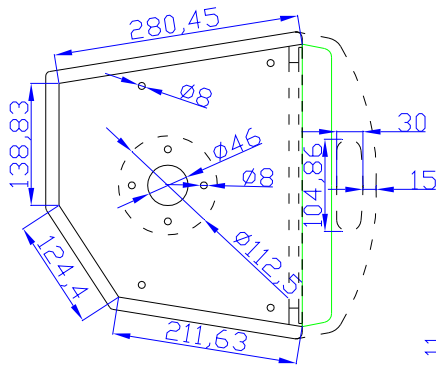


**Rear**

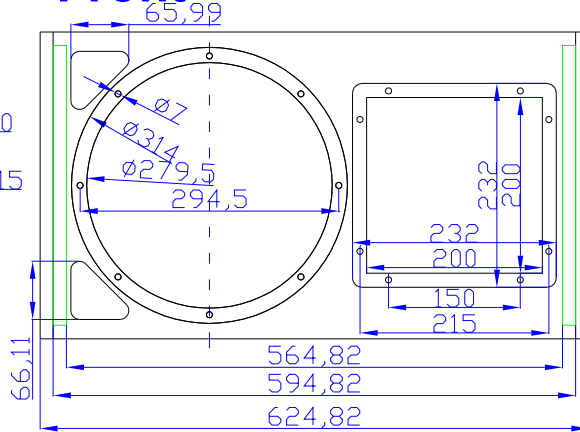


**Section**

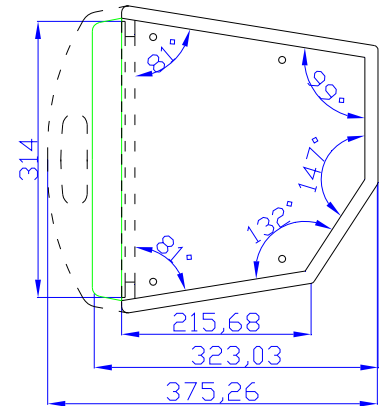
**Base**



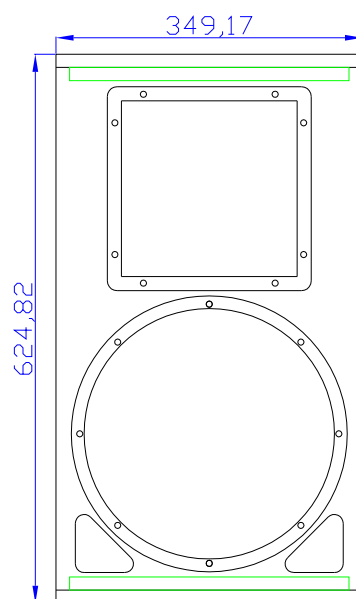
**Front**



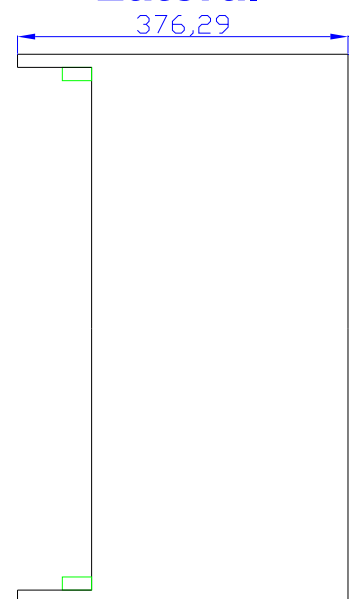
**Central**



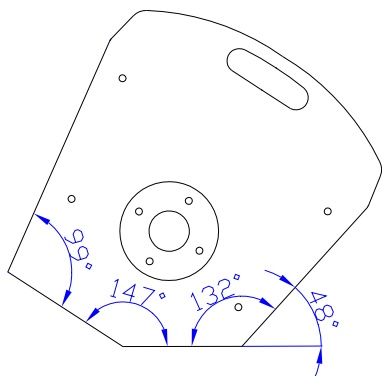
**Front**



**Lateral**



**Base**



## 12MWNd

### KEY FEATURES

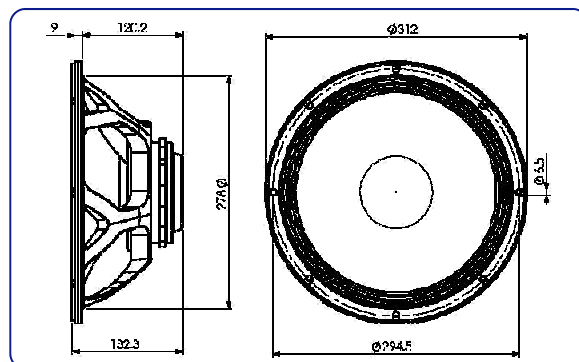
- Good power handling (350 W AES )
- Sensitivity: 97 dB @ 2.83V
- Extended frequency response (35-5000 Hz)
- Neodymium magnets
- Aluminium customized basket

### TECHNICAL SPECIFICATIONS

- Nominal diameter 300 mm. 12 in.
- Rated impedance 8 ohms
- Minimum impedance 7 ohms
- Power capacity\* 350 w AES
- Program power 700 w
- Sensitivity 97 dB 2.83v @ 1m @ 2π
- Frequency range 35 - 5000 Hz
- Voice coil diameter 62.4 mm. 2.5 in.
- Magnetic assembly weight 2.54 kg. 5.59 lb.
- BL factor 16.9 N / A
- Voice coil length 19.5 mm
- Air gap height 10 mm
- X damage (peak to peak) 30 mm



### DIMENSION DRAWINGS



## TPL-150

### KEY FEATURES

- Superior sound reproduction quality
- Extended frequency response (1 - 23 kHz )
- High sensitivity (99 dB)
- Extremely linear frequency response
- Low distortion
- Designed for the high frequencies reproduction

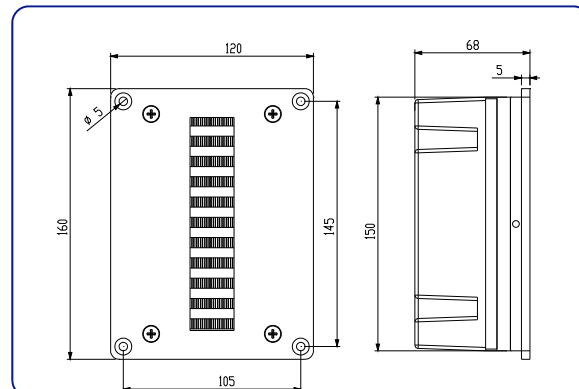
### TECHNICAL SPECIFICATIONS

- Rated impedance 8 ohms
- D.C. Resistance 5.9 ohms
- Power capacity\* 80 w AES above 1 kHz
- Program power 160 w above 1 kHz
- Sensitivity\*\* 99 dB 1w @ 1m
- Frequency range 1- 23000 Hz
- Voice coil diameter 100 mm. 4 in.
- Recommended Crossover 1 kHz or higher (12 dB/oct. min.)
- Net weight 2.18 kg. 4.8 lb.

**Notes:**

\*The power capacity is determined according to AES2-1984 (r2003) standard.  
 Program power is defined as the transducer's ability to handle normal music program material.  
 \*\*Sensitivity was measured at 1 m distance, on axis, with 1 w input, averaged in the range 2.5 - 20 kHz.

### DIMENSION DRAWINGS



## TD-TPL

### KEY FEATURES

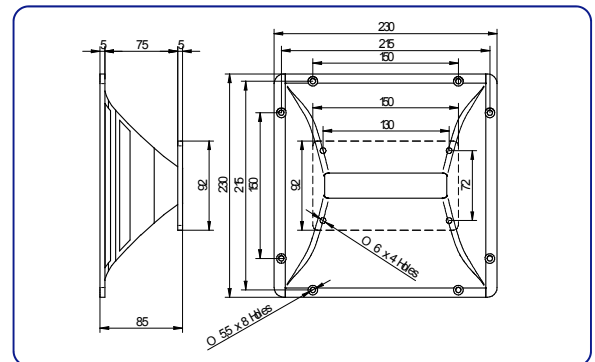
- Designed to be used with TPL-150 tweeter
- Coverage angles of 80° in the horizontal plane and 30° in the vertical plane
- Precise directivity control in the pass band
- Cast aluminium construction

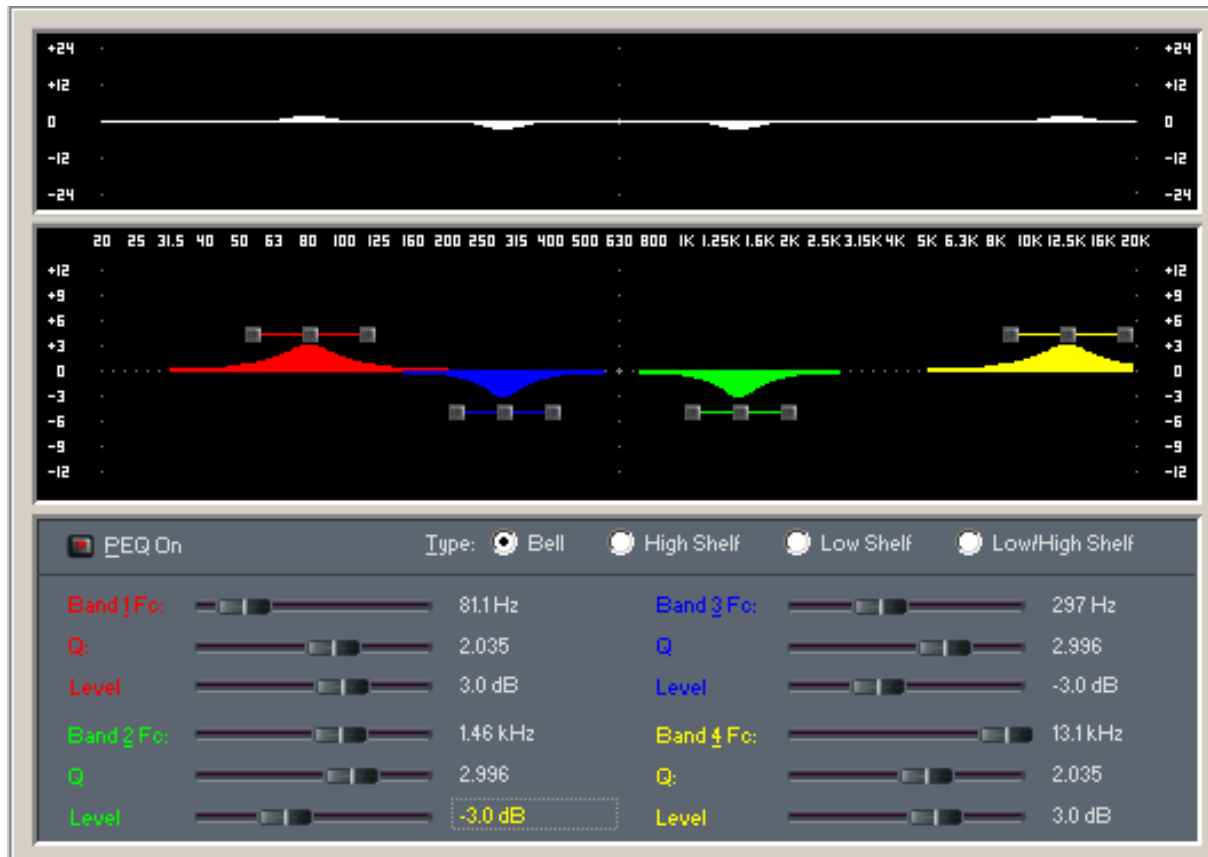
### TECHNICAL SPECIFICATIONS

- Throat dimensions (WxH) 12 x 208 mm. 0.47 x 8.19 in.
- Horizontal beamwidth 80° (+9°, -20°)  
(-6 dB, 1.2 - 16 kHz)
- Vertical beamwidth 30° (+27°, -21°)  
(-6 dB, 2 - 16 kHz)
- Directivity factor (Q) 27 (average 1.2 - 16 kHz)
- Directivity index (DI) 13 dB (+6 dB, -4.5 dB)
- Cutoff frequency 800 Hz
- Dimensions (WxHxD) 230x230x85 mm.  
9.05x9.05x3.35 in.
- Cutout dimensions (WxH) 195x195 mm.  
7.68x7.68 in.
- Net weight 1.5 kg. 3.3 lb.
- Construction Cast aluminium.  
Connection of driver by four screws on a 5 mm. diameter bolt circle.



### DIMENSION DRAWINGS





**FR12A/1 Crossover**

