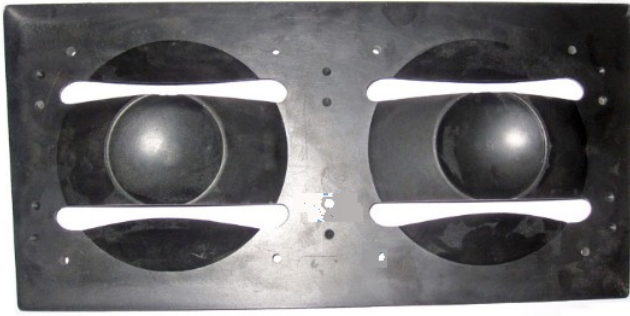
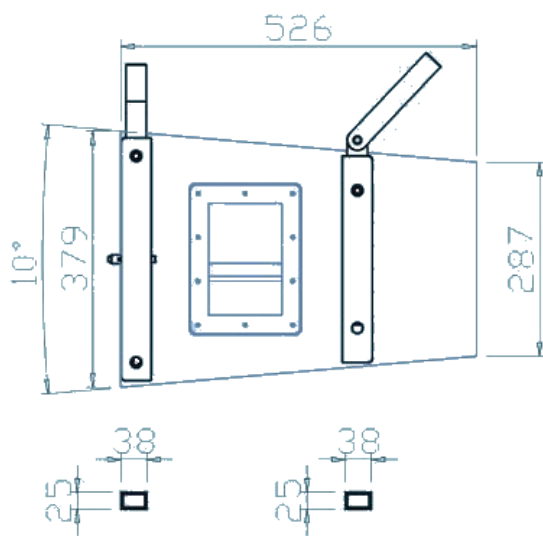


Model	Enclosure Design	Frequency Response	Efficiency	Power / imp.
VTX4888	Line Array	51,5 / 100 ~ 20KHz -3dB	100,2dB 1W / 1M	L 2x 600W AES / 8ohm
Components	Kast: Berken multiplex 15mm			M 400W AES / 8ohm
	low: RCF LF12G301 450W/8ohm/40~2000Hz/spl 97dB			H 160W AES / 16ohm
	mid: B&C 5MDN38 5" 100W /8ohm/240~10000Hz / spl 96 dB			
	high: Faital Pro HF146 80W/8ohm/0,7~18KHz / line array hoorn P-Audio PHCL-35			
Highpass 40 -100Hz / X-pass 500Hz / X-pass 1200 ~ 1500Hz 8ste order				
Ontwerp: van den Hoogen's Servicebedrijf / Boi van den Hoogen / www.soundshopschylge.nl / 22-04-2016				



Faseplug 2x 5"



Originele set en kast maat
VT4888 nieuwe uitvoering



VTX4888:

The HF section has **two** Faital Pro HF146 drivers (8Ω) wired in Series. = 16Ω Pins 4; 1x 160w / 110dB

The MF section has **four** B&C 5MDN38 drivers (8Ω) wired in Series / Parallel. = 8Ω Pins 3; 1x 400w / 100dB

The LF section has **two** RCF LF12G301 drivers (8Ω) wired Independently = 8Ω / 8Ω Pins 1, 2; 2x 600w / 100,2dB

Controller settings

Highpass 40 of 100Hz / Lowpass 500Hz 8ste order

EQ 60Hz/Q=3/G=-0,25dB; 85Hz/Q=2/G=+1,0dB 120Hz/Q=1/G=+2,5dB 300Hz/Q=1/G=+0,5dB

Highpass 500Hz / Lowpass 1200Hz ~ 1500Hz 8ste order

EQ 500Hz/Q=1/G=+2,0dB; (1200Hz ~ 1500Hz/Q=3/G=+1,0dB

Highpass 1200Hz ~ 1500Hz 8ste order

EQ 1500Hz/Q=1/G=+0,5dB

Amps 3kasten, speakon8:

The HF section 16Ω Pins 4+/4-; 160w AES = 480W - 4ohm

The MF section 8Ω Pins 3+/3-; 400w AES = 1200W - 2,3ohm

The LF section 8Ω + 8Ω Pins 1+/1-, 2+/2-; 2x 600w AES = 2x 1800W - 2,3ohm

VTX4888s18" - 100Hz / 37,5 ~ 102Hz

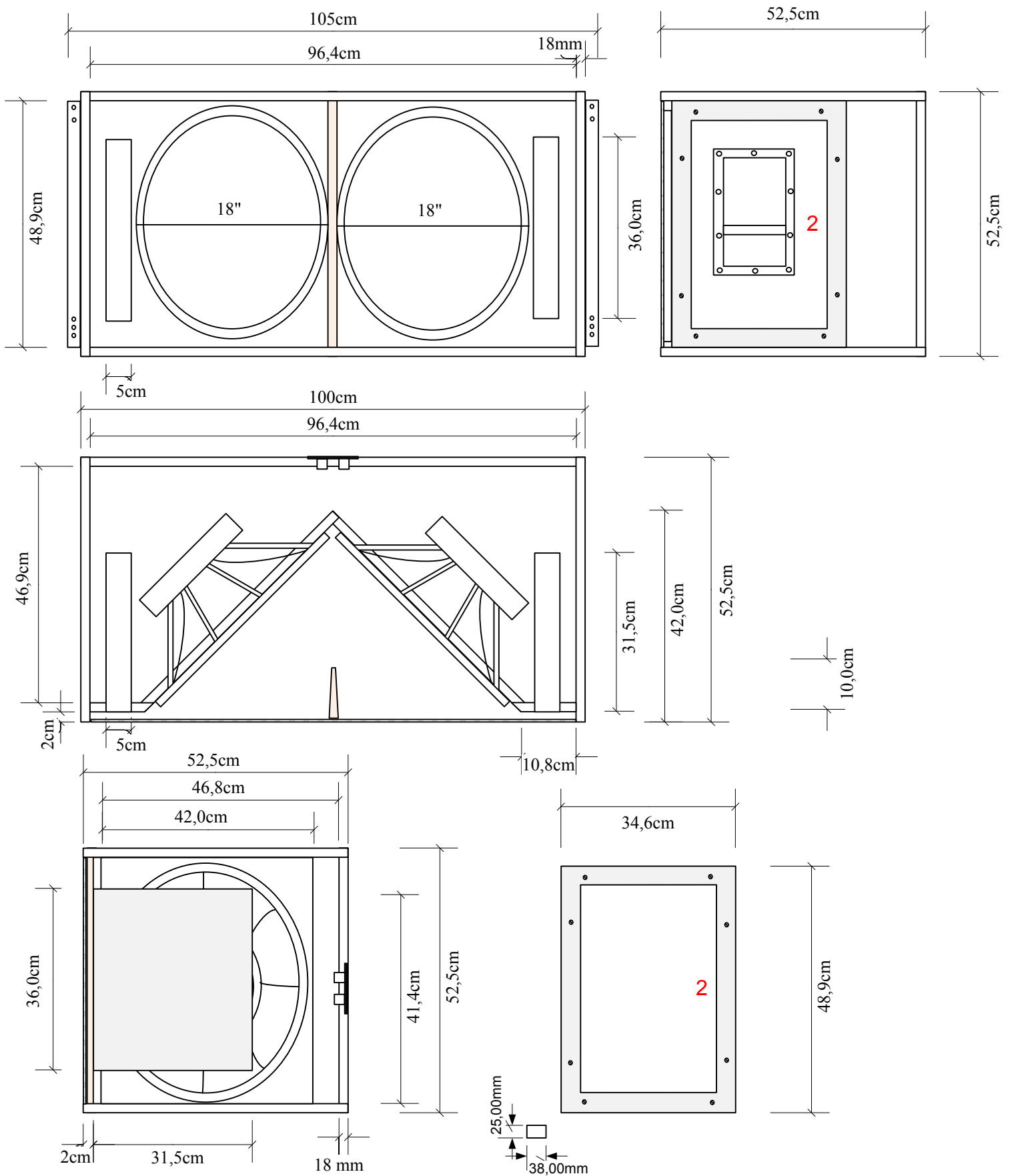
Highpass 30Hz / Lowpass 100Hz 8ste order EQ 40Hz/Q=3/G=+4,0dB 60Hz/Q=1/G=+2,25dB 100Hz/Q=3/G=+1,5dB / spl 99,7dB

Highpass 30Hz / Lowpass 100Hz 8ste order EQ 40Hz/Q=3/G=+4,5dB 50Hz/Q=1/G=+1,0dB 100Hz/q=3/G=+1,0dBspl 98,8dB

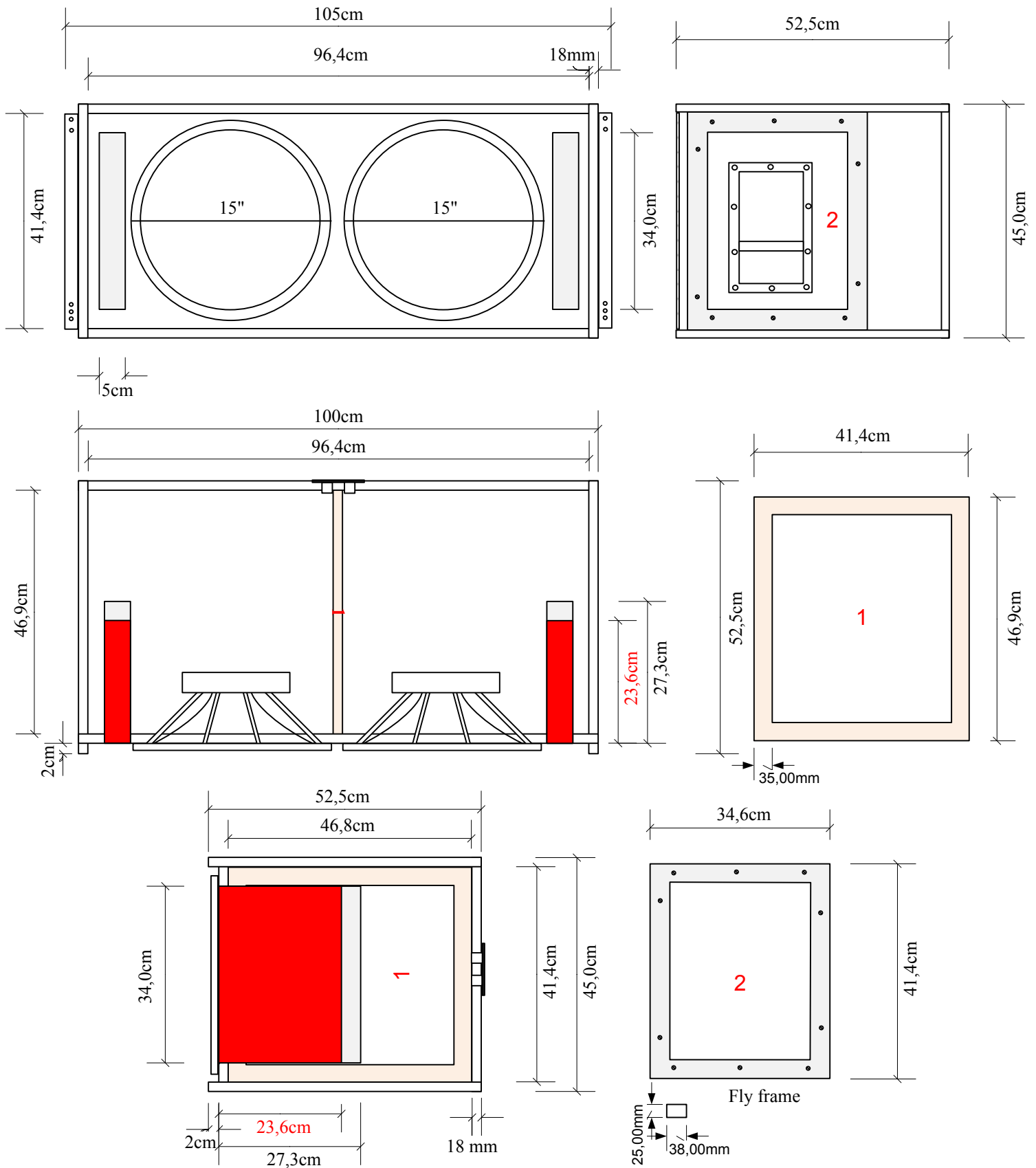
VTX4888s15" - 100Hz / 37,5 ~ 102Hz

Highpass 30Hz / Lowpass 80Hz 8ste order EQ 40Hz/Q=3/G=+3,50dB 80Hz/Q=3/G=+0,5dB / spl 99,7dB

Highpass 30Hz / Lowpass 80Hz 8ste order EQ 40Hz/Q=3/G=+3,0dB 80Hz/q=3/G=+0,5dBspl 98,8dB



Model	Enclosure Design	Frequency Response	Efficiency	Power / imp.
VTX4888s1	Line Array sub	37,5/37 ~ 103Hz -3dB	99,9/99,1dB 1W / 1M	1600/2000W AES / 4ohm
Components	Kast: Berken multiplex 15mm			Inhoud: 158Ltr
	low: Precision Devices PD1850-II 800W/8ohm/35~2000Hz/spl 98dB			
low: Faital Pro 18HP1022 1000W/8ohm/35~1600Hz/spl 98dB				
Highpass 30Hz / Lowpass 100Hz 8ste order EQ 40Hz/Q=3/G= +4,0dB 60Hz/Q=1/G= +2,5dB 100Hz/Q=3/G= +1,5dB				
Highpass 30Hz / Lowpass 100Hz 8ste order EQ 40Hz/Q=3/G= +5,0dB 55Hz/Q=1/G= +1,0dB 100Hz/Q=3/G= +1,0dB				
Ontwerp: van den Hoogen's Servicebedrijf / Boi van den Hoogen / www.soundshopschylge.nl / 24-04-2016				



Model	Enclosure Design	Frequency Response	Efficiency	Power / imp.
VTX4888s2	Line Array Sub	35,4/37 ~ 101Hz -3dB	97,9/99,1dB 1W / 1M	1600W AES / 4ohm
Components	Kast: Berken multiplex 18mm			1400W AES / 4ohm
	low: RCF L15P200AK-II 800W/8ohm/35~1000Hz/spl 95dB			Inhoud: 185Ltr
	low: Precision Devices PDN15BR40 700W/8ohm/40~2500Hz/spl 97dB			
Highpass 30Hz / Lowpass 100 8ste order 38Hz/Q=3/G= +4,0dB 50Hz/Q=1/G= +0,5dB 100Hz/Q=3/G=0,5dB				
Highpass 30Hz / Lowpass 100 8ste order 40Hz/Q=3/G= +6,0dB 75Hz/Q=2/G= -0,5dB				
Ontwerp: van den Hoogen's Servicebedrijf / Boi van den Hoogen / www.soundshopschylge.nl / 24-04-2016				