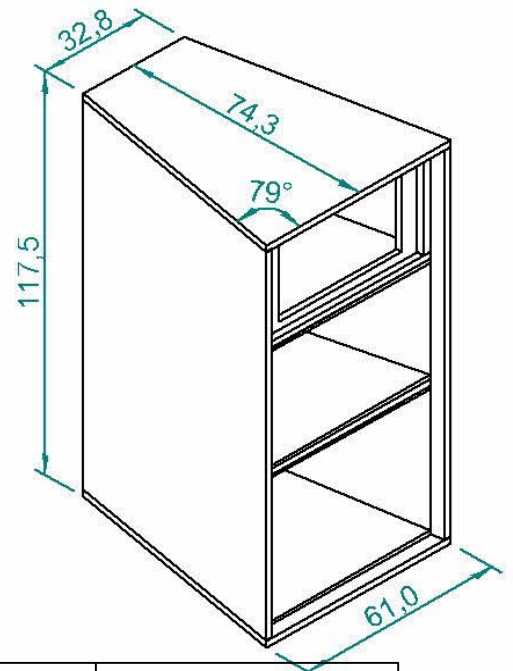
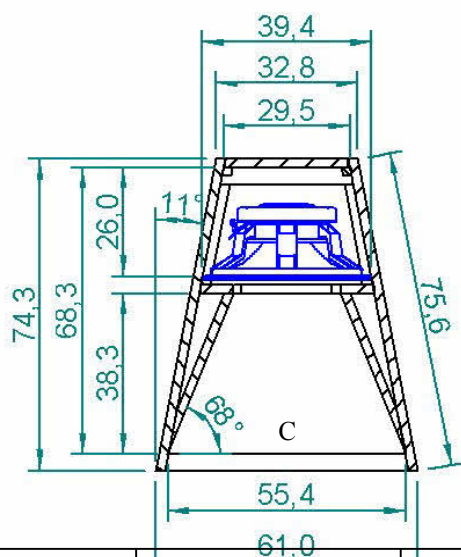
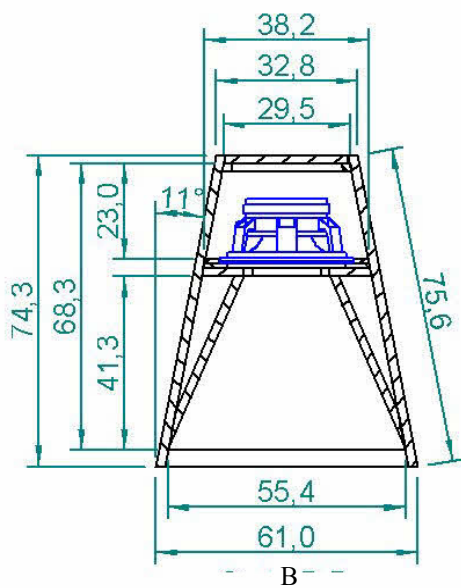
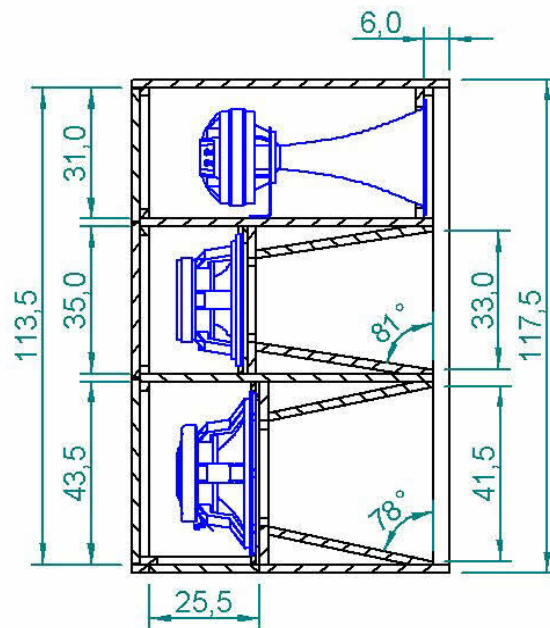
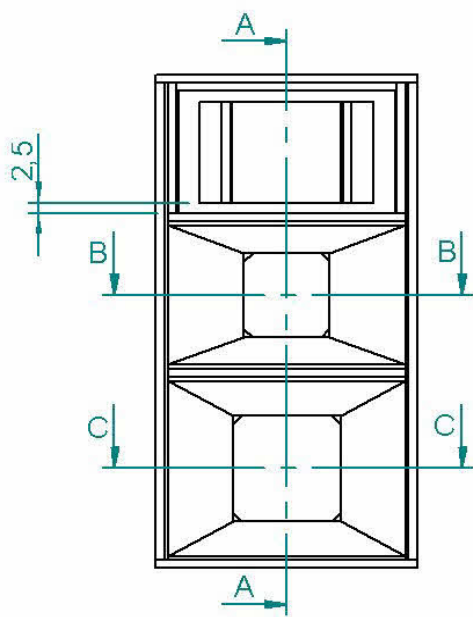


Model	Enclosure Design	Frequency Response	Efficiency	Power / imp.
PAS 1G1	Vented Sub	40~180Hz -3dB	100,5dB 1W / 1M	1200W RMS / 4ohm
Components	Kast: MDF 20mm			Netto inhoud: 220Ltr
	Precision Devices PD184 30-2500Hz/600w/80hm			
	Highpass 30Hz Lowpass 180Hz 8ste order 40Hz/Q=2/G=+5dB 60Hz/Q=1/G=-1dB			
Ontwerp: van den Hoogen's Servicebedrijf / Boi van den Hoogen / www.boyzpc.nl / 15-02-2010				



Model	Enclosure Design	Frequency Response	Efficiency	Power / imp.
PAS 1MA1	Hornloaded top	180~ 20KHz -3dB	99,5dB 1W / 1M	600 + 400W RMS / 8ohm
Components	Kast: MDF 20mm		Netto inhoud: 37,5Ltr	
	Precision Devices PD158 40-3000Hz/600w/80hm		Netto inhoud: 26Ltr	
	Precision Devices PD121 60-6000Hz/300w/80hm		passief 1200Hz/12dB/okt	
	P-audio SD750N 0,8-20KHz/80w/80hm + PH-4530 60*40			
Hp 180Hz Lp 500Hz 8ste order 300Hz/Q=1/G=-1dB 500Hz/Q=1/G=+1dB Hp 500Hz 8ste order 500Hz/Q=1/G=+1				
Ontwerp: van den Hoogen's Servicebedrijf / Boi van den Hoogen / www.boyzpc.nl / 15-02-2010				