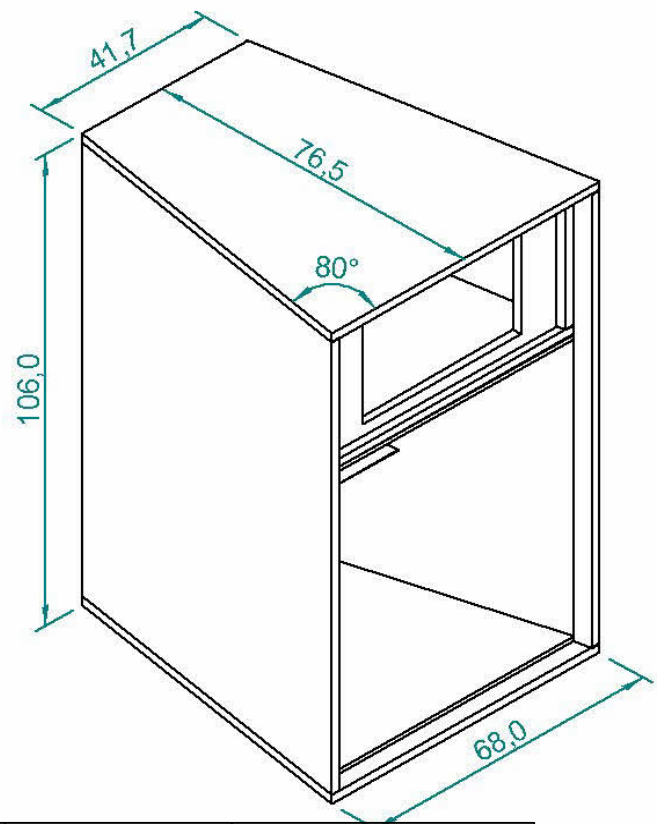
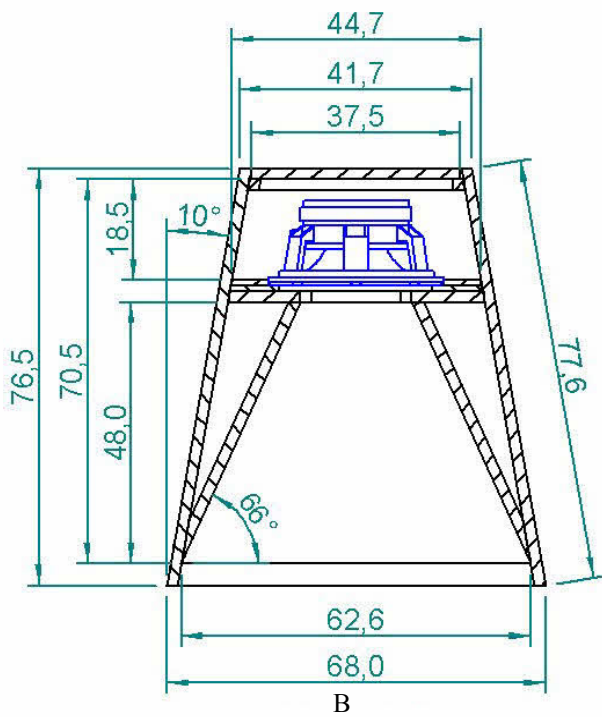
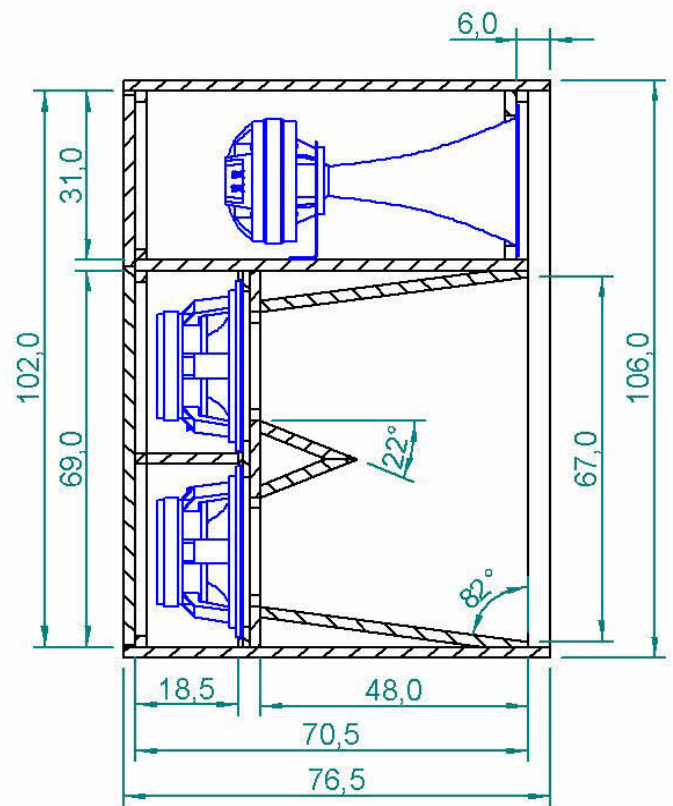
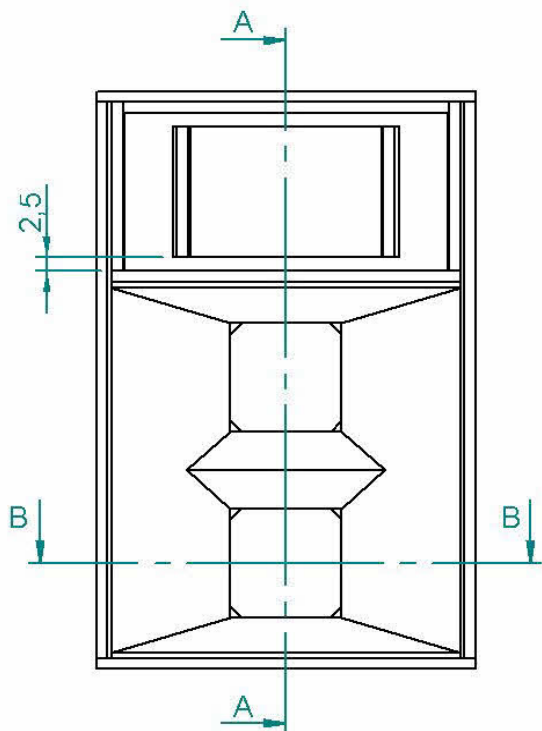


Precision Devices PD2150 30-1000Hz/1000w/8Ohm 42,5~200Hz -3dB 100,5dB 1W / 1M
 Highpass 30Hz Lowpass 200Hz 8ste order 100Hz/Q=1/G=+0,5dB 2000W AES / 4ohm

Model	Enclosure Design	Frequency Response	Efficiency	Power / imp.
PAS 3G1	Vented Sub	44~200Hz -3dB	100,5dB 1W / 1M	1200W RMS / 4ohm
Components	Kast: MDF 20mm			Netto inhoud: 300Ltr
	Precision Devices PD184 28-2500Hz/600w/8Ohm			
	Highpass 30Hz Lowpass 200Hz 8ste order 110Hz/Q=1/G=+0,5dB			
Ontwerp: van den Hoogen's Servicebedrijf / Boi van den Hoogen / www.boyzpc.nl / 15-02-2010				



Model	Enclosure Design	Frequency Response	Efficiency	Power / imp.
PAS 1MA1	Hornloaded top	180~ 20KHz -3dB	100,5dB 1W / 1M	800W RMS / 4ohm
Components	Kast: MDF 20mm			Netto inhoud: 51,5Ltr
	Precision Devices PD122 45-3500Hz/400w/80hm			
	P-audio SD750N 0,8-20KHz/80w/80hm + PH-4530 60*40			
	Hp 200Hz 8ste order 200Hz/Q=1/G=+2dB passief 1200Hz/12dB/okt 4/8ohm			
Ontwerp: van den Hoogen's Servicebedrijf / Boi van den Hoogen / www.boyzpc.nl / 15-02-2010				