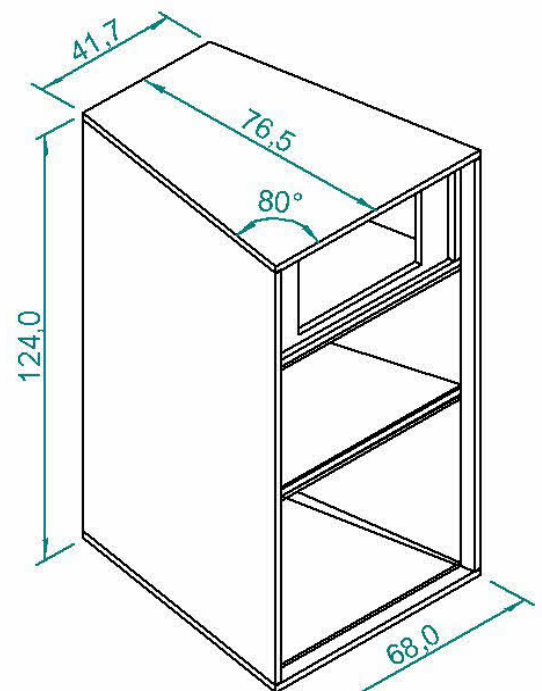
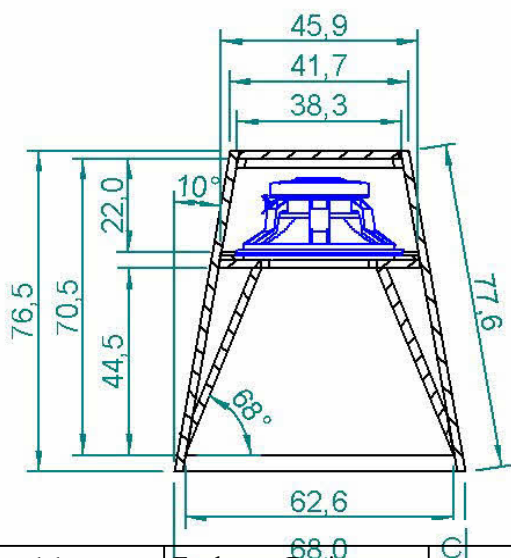
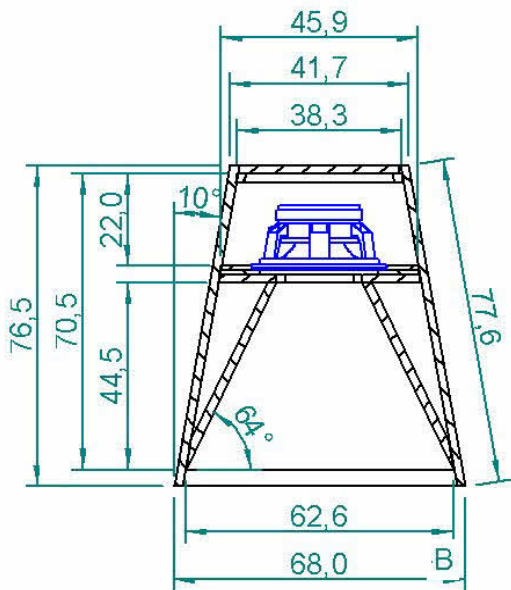
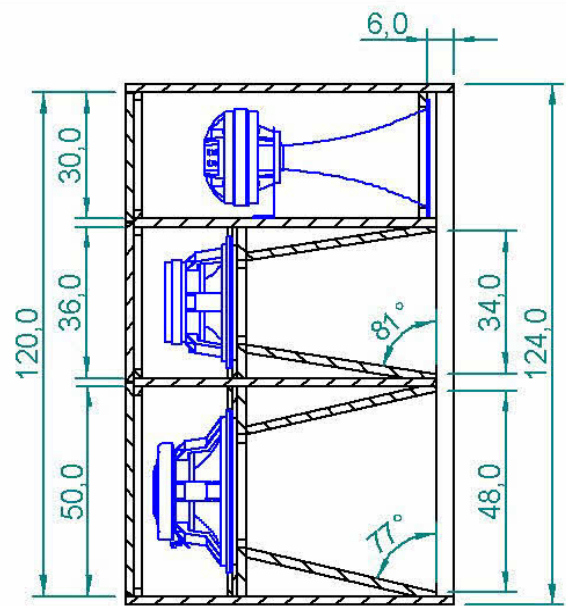
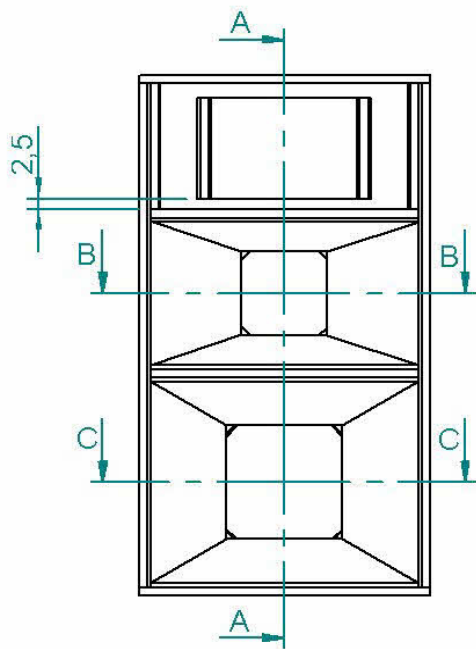


Model	Enclosure Design	Frequency Response	Efficiency	Power / imp.
PAS 3G2	Vented Sub	50~123Hz -3dB	101,5dB 1W / 1M	800W RMS / 4ohm
Components	Kast: MDF 20mm			Netto inhoud: 200Ltr
	Precision Devices PD152 45-3500Hz/400w/80hm			
Highpass 30Hz Lowpass 120Hz 8ste order 500Hz/Q=3/G=+1dB 65Hz/Q=2/G=-0,5dB 120Hz/Q=1/G=+2dB				
Ontwerp: van den Hoogen's Servicebedrijf / Boi van den Hoogen / www.boyzpc.nl / 15-02-2010				



Model	Enclosure Design	Frequency Response	Efficiency	Power / imp.
PAS 3MA2	Hornloaded top	118~ 20KHz -3dB	98dB 1W / 1M	400W RMS / 4ohm
Components	Kast: MDF 20mm			500W RMS / 4ohm
	Precision Devices PD152 45-3500Hz/400w/80hm			Netto inhoud: 54Ltr
	Precision Devices PD122 45-3500Hz/400w/80hm			Netto inhoud: 33Ltr
	P-audio SD750N 0,8-20KHz/80w/80hm + PH-4530 60*40			passief 1200Hz/12dB/okt
Hp 120Hz Lp 500Hz 8ste order 120Hz/Q=2/G=+3dB 250Hz/Q=1/G=+0,5dB Hp 500Hz 8ste order 500Hz/Q=1/G=+0,5dB				
Ontwerp: van den Hoogen's Servicebedrijf / Boi van den Hoogen / www.boyzpc.nl / 15-02-2010				