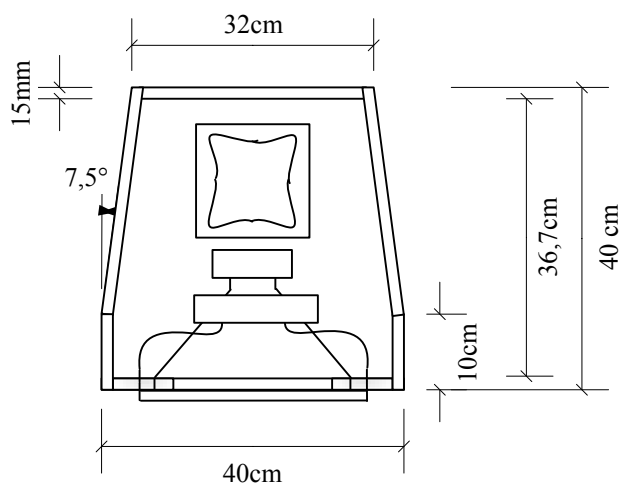
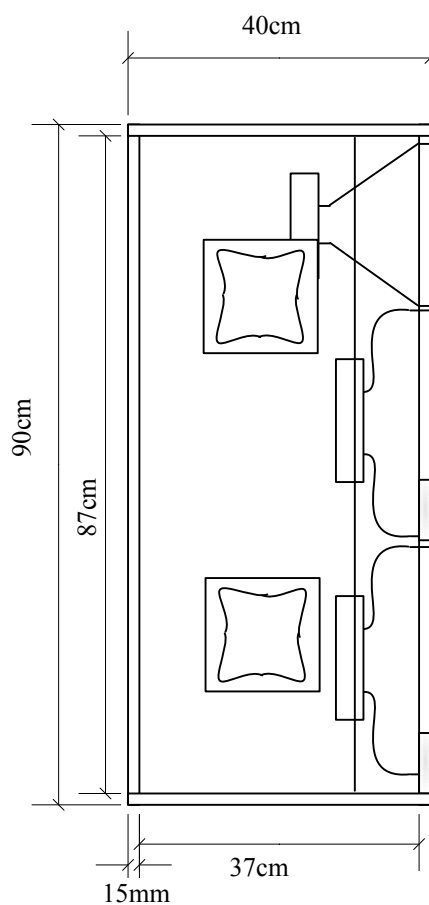
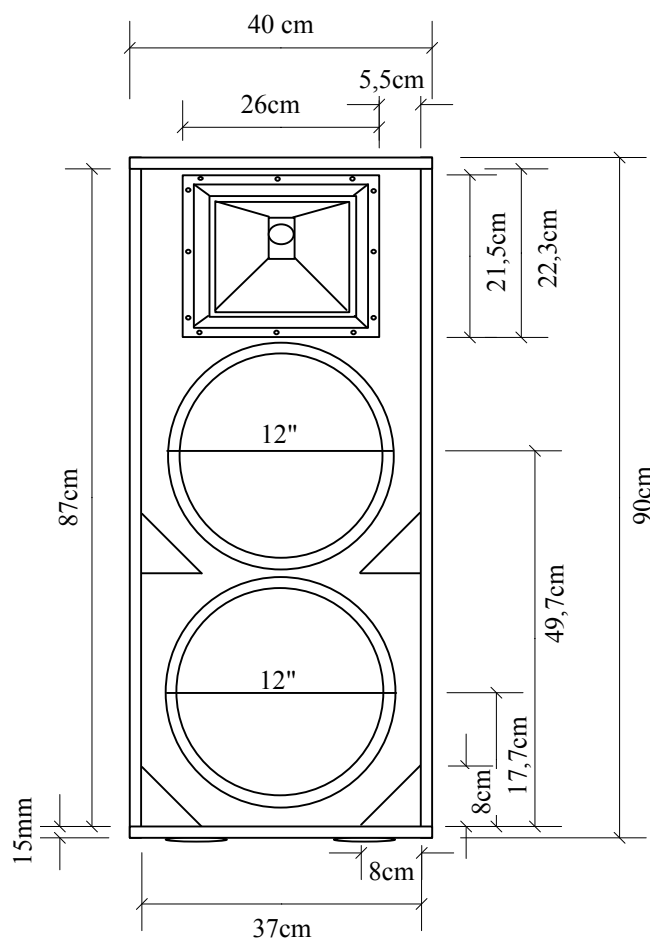


Model	Enclosure Design	Frequency Response	Efficiency	Power / imp.
SW-218	Bass reflex	38Hz ~ 162Hz -3dB	99,8dB 1W / 1M	1400W RMS / 4ohm
Components	Kast: Berken multiplex 18mm			Netto inhoud 306Lts
	RCF L18P200N 700W/98dB 32-2000Hz			
Highpass 30Hz 4de order Lowpass 160Hz 8ste order – EQ 40Hz/Q=3/G=+2,0dB				
Ontwerp: van den Hoogen's Servicebedrijf / Boi van den Hoogen / www.soundshopschylge.nl / 17-11-2003				



Model	Enclosure Design	Frequency Response	Efficiency	Power / imp.
T2121	Fullrange vented	148Hz ~ 20KHz -3dB	101dB 1W/1M	750W RMS / 4ohm
Components	Kast: Berken multiplex 18mm			Netto inhoud 114Ltr
	RCF L12L750 60Hz-2000Hz/350W/8ohm			
	RCF N450 driver 50w/8ohm/1-20Khz / hoorn 18Sound XT1086 80*60			
	passief filter 1800Hz low 4ohm 12dB/okt - high 8ohm 18dB/okt			
Highpass 150Hz 8ste order – EQ 150Hz/Q=1/G=+1,0dB 1500Hz/Q=2/G=+2,5dB				
Ontwerp: van den Hoogen's Servicebedrijf / Boi van den Hoogen / www.soundshopschylge.nl / 17-11-2003				