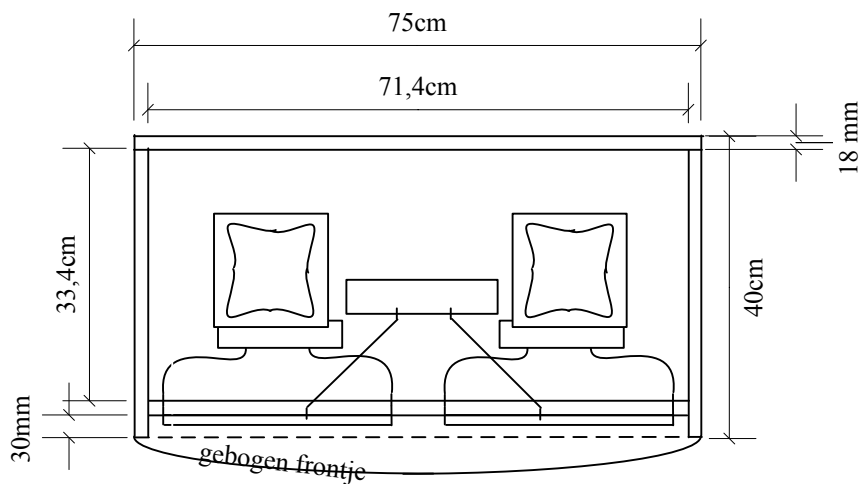
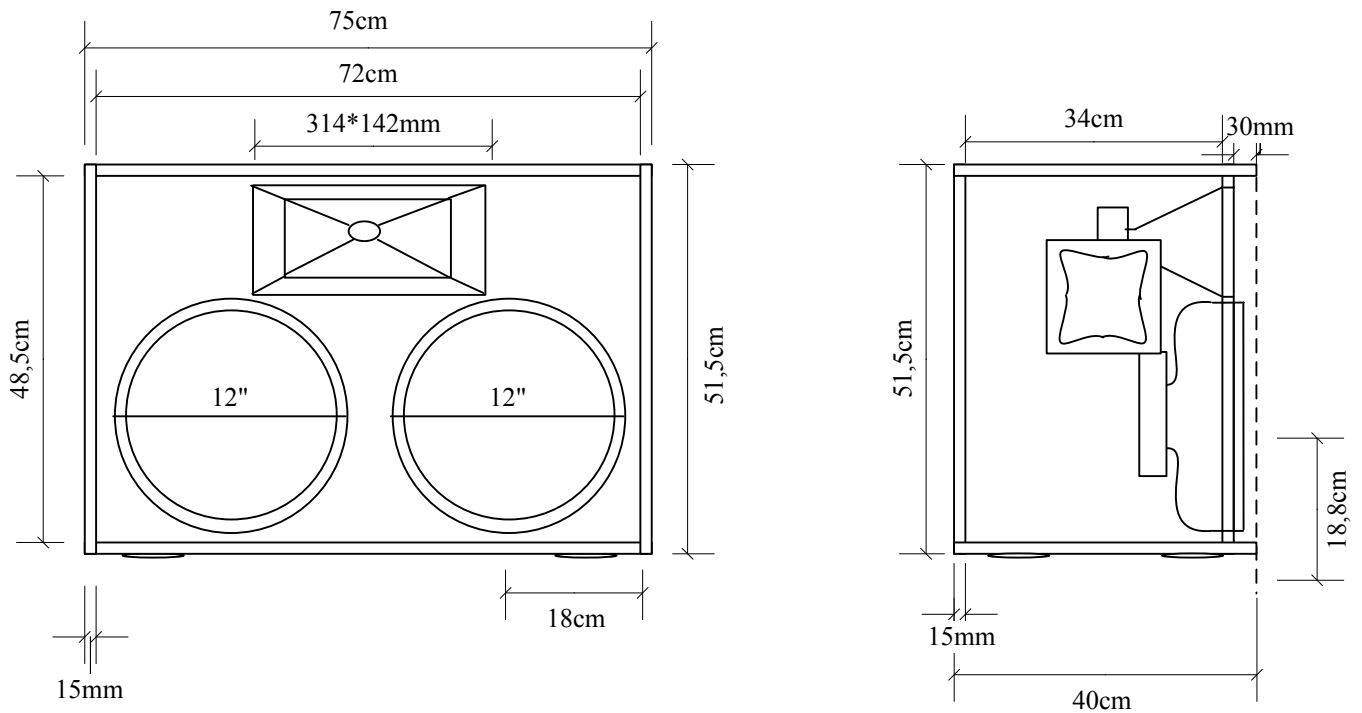


Model	Enclosure Design	Frequency Response	Efficiency	Power / imp.
SW-18	Bass reflex	39~ 247Hz -3dB	96,8dB 1W/1M	1000W AES / 8ohm
Components	Kast: Berken multiplex 18mm			Netto inhoud 145Lts
	RCF L18P400 25-1000Hz 1000W/8ohm			
Highpass 30Hz Lowpass 250Hz 4de order 40Hz/Q=2/G=+2db 130Hz/Q=1/G=-1dB				
Ontwerp: van den Hoogen's Servicebedrijf / Boi van den Hoogen / www.boyzpc.nl / 17-11-2003				



Model	Enclosure Design	Frequency Response	Efficiency	Power / imp.
T-2101	Mid/High vented	242~ 20KHz -3dB	99,5dB 1W/1M	800W RMS / 4ohm
Components	Kast: Berken multiplex 15mm			Netto inhoud 118Ltr
	Bass/Mid: RCF L12P540 50Hz-2000Hz 400W			
	Driver RCF N450 50w/8ohm/1,2-20Khz / B&C ME45 90*40hoorn			
Highpass 250Hz 4de order EQ 250Hz/Q=3/G=+1db 1200Hz/Q=2/G=+2dB passief filter 1,6kHz/12dB/okt 4/8ohm				
Ontwerp: van den Hoogen's Servicebedrijf / Boi van den Hoogen / www.boyzpc.nl / 17-11-2003				