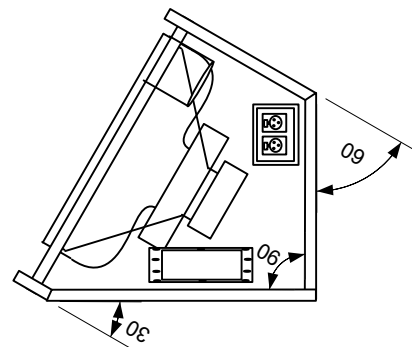


60° monitor



30° monitor

Model	Enclosure Design	Frequency Response	Efficiency	Power / imp.
Espace 250M	Fullrange vented	50 ~ 20KHz -10dB	98dB 1W/1M	350W / 8ohm
Components	Kast: Berken multiplex 15mm			Netto inhoud: 43,5Ltr
	RCF MB12N251 45Hz-3000Hz/300W/8ohm			
	RCF ND1710-MT3 40w/8ohm/1-20Khz + B&C ME45 hoorn 90*40			
	passief filter 1kHz/8ohm/12/18dB/okt – Topje vanaf 100Hz			
Ontwerp: van den Hoogen's Servicebedrijf / Boi van den Hoogen / www.boyzpc.nl / 28-03-2011				